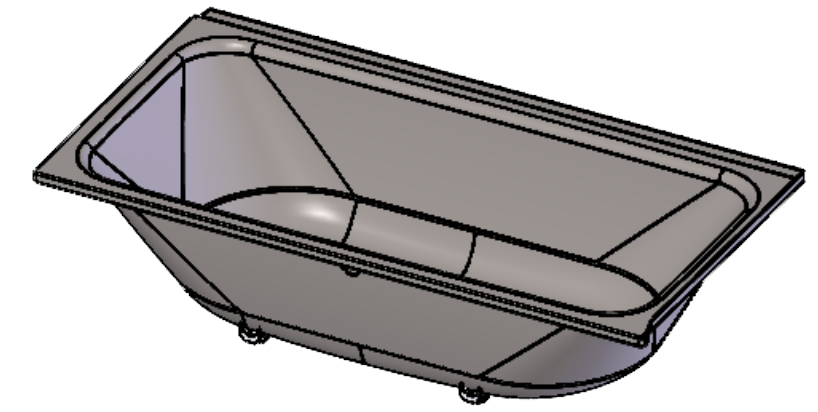
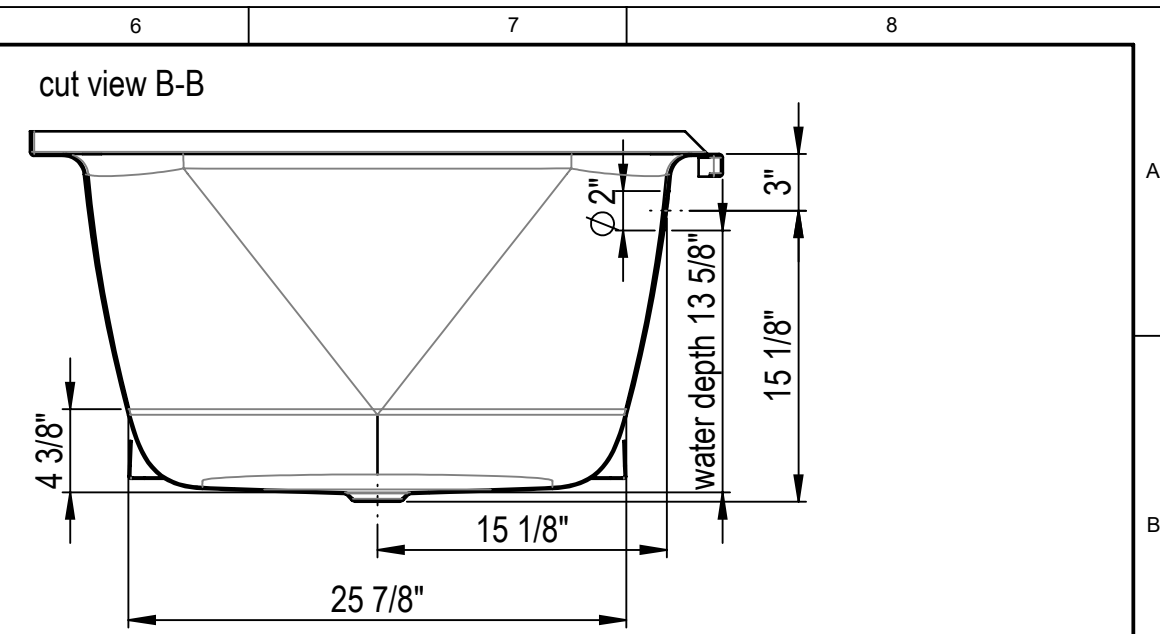
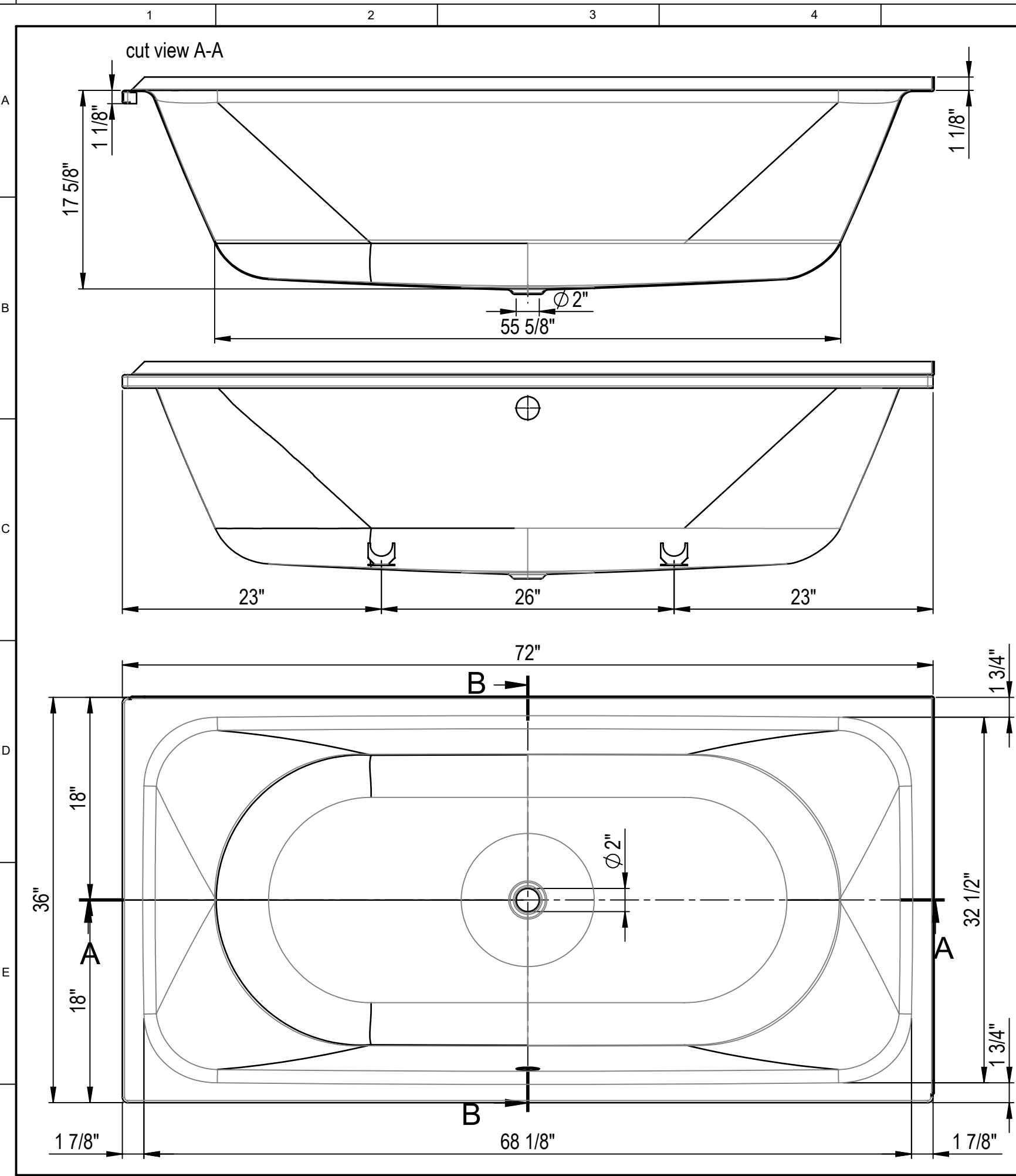


We reserves all rights in this document and it's subject matter. The recipient hereby acknowledges these rights and assures the use of this document only for the purpose it was delivered. © Wilhelm Schmidlin AG



Material:
 Glazed titanium steel
 Slip resistant surface Schmidlin ANTIGLISS included
 All products are made in the same factory with the same processes.
 The steel grade and surface materials are identical.



Change	-	-	replaced by	06.04.2021	LB
Change	-	-			
Change	-	-			
Change	-	-			
Item no.	2141-0006		Scale		
release			1:10	Format	Sheet/Sheets
Order no.				A	8 / 10
Schmidlin			Schmidlin CORSO		Drawing no.
www.schmidlinusa.com			72"x36"x17 3/4", tile flanges on 2 sides, right corner		01.1.0002990
					Version
					Plotdatum: 24.05.2023

CAD-System: SolidWorks