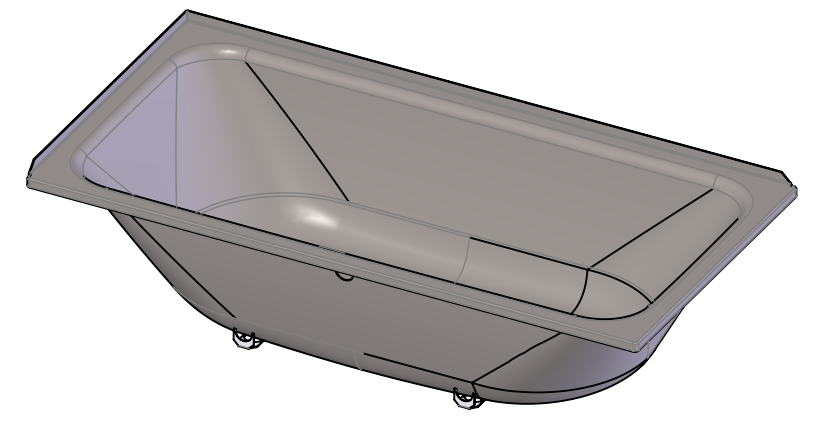
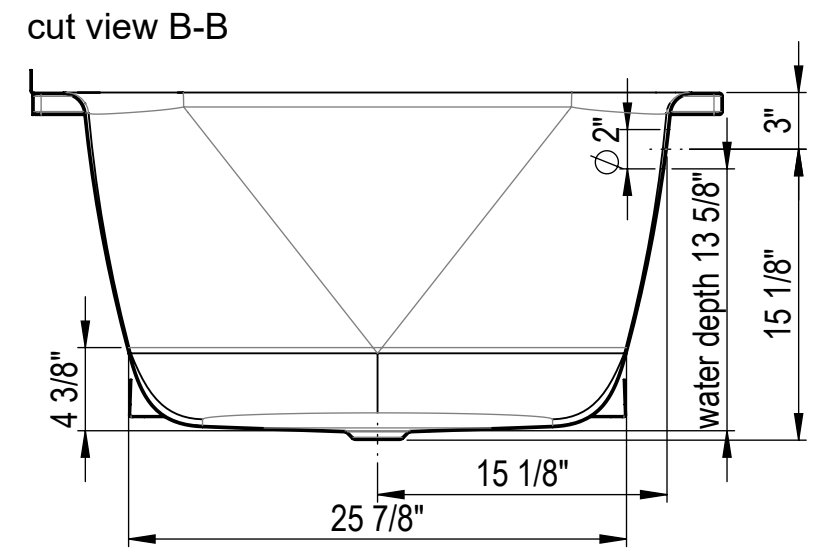
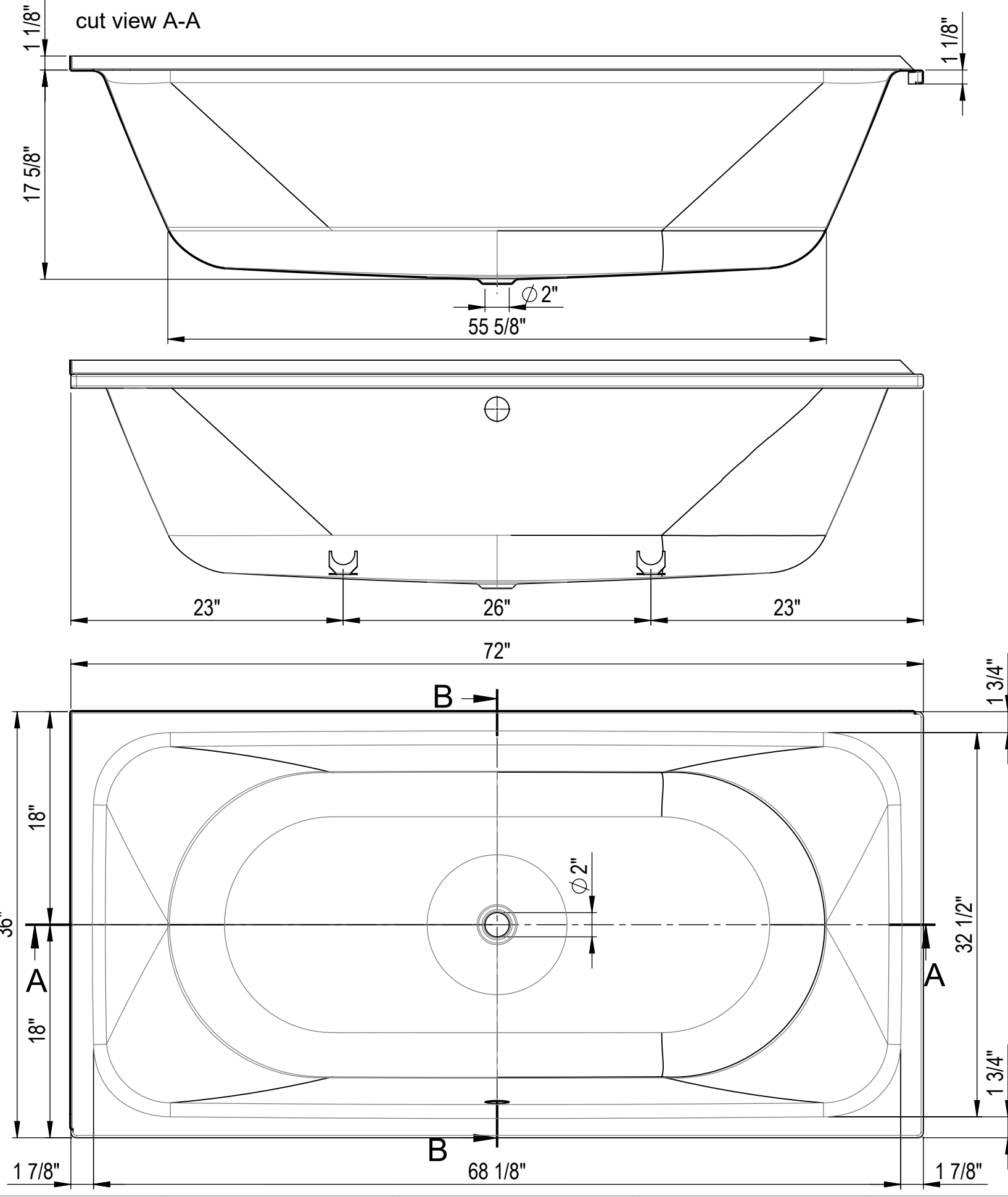
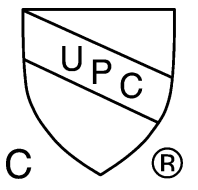


We reserves all rights in this document and it's subject matter. The recipient hereby acknowledges these rights and assures the use of this document only for the purpose it was delivered. © Wilhelm Schmidlin AG



Material:
 Glazed titanium steel
 Slip resistant surface Schmidlin ANTIGLISS included
 All products are made in the same factory with the same processes.
 The steel grade and surface materials are identical.



Change	-	-	replaced by	06.04.2021	LB
Change	-	-			-
Change	-	-			-
Change	-	-			-
Item no.	2141-0005		Scale	1:10	
release			Format	Sheet/Sheets	
Order no.			A	4 / 6	Version
Schmidlin www.schmidlinusa.com			Schmidlin CORSO 72"x36"x17 3/4", tile flanges on 2 sides, left corner		
			Drawing no.		01.1.0002989
			Plotdatum:		07.04.2021

CAD-System: SolidWorks