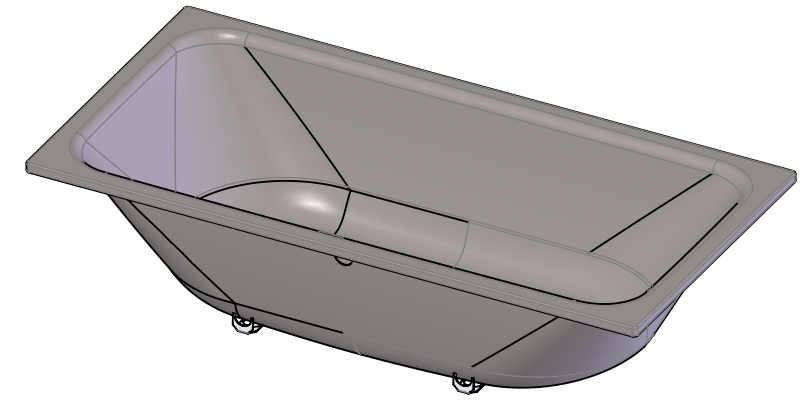
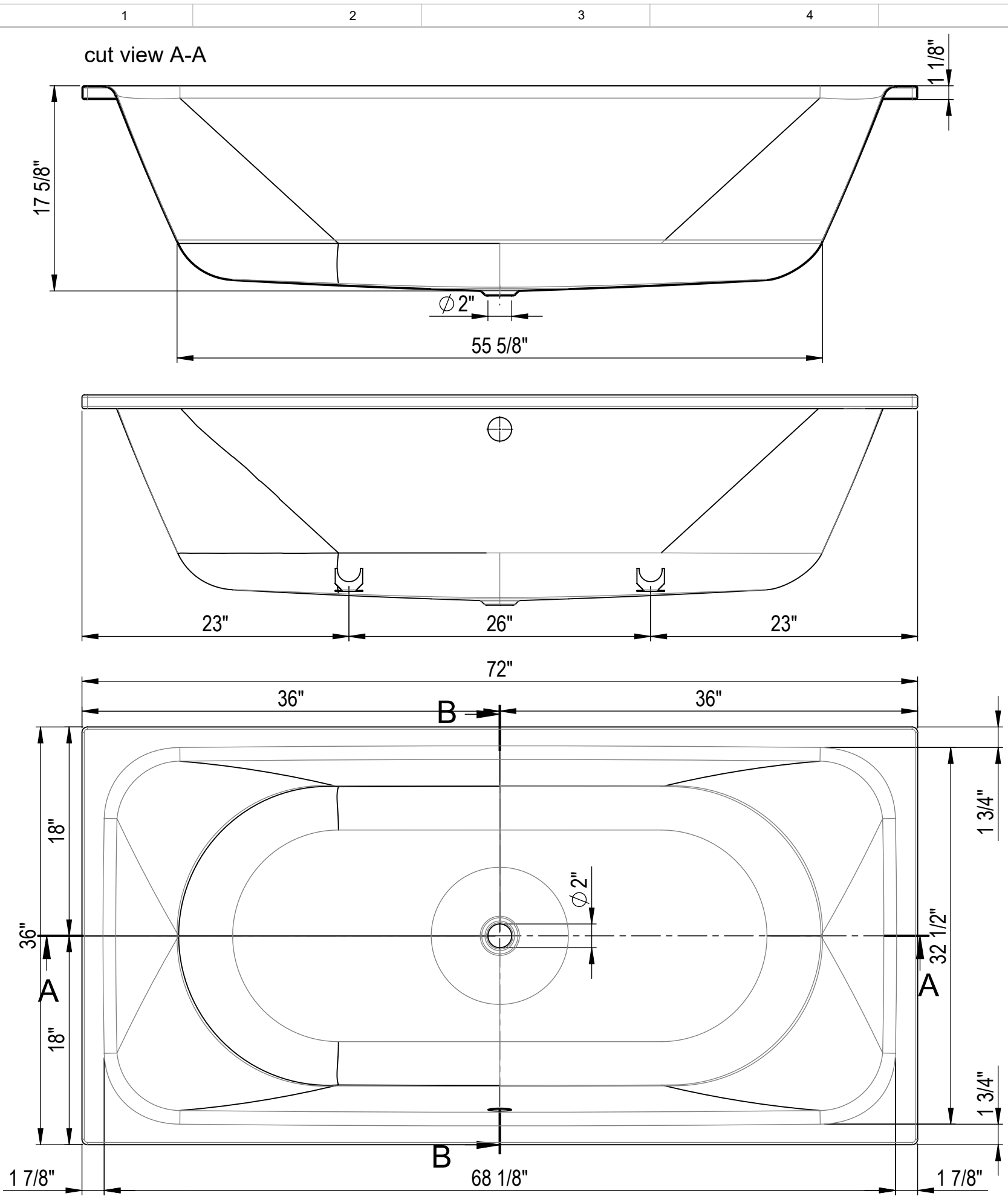
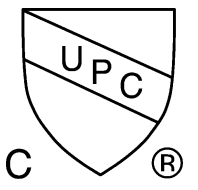


We reserves all rights in this document and it's subject matter. The recipient hereby acknowledges these rights and assures the use of this document only for the purpose it was delivered. © Wilhelm Schmidlin AG



**Material:**  
 Glazed titanium steel  
 Slip resistant surface Schmidlin ANTIGLISS included  
 All products are made in the same factory with the same processes.  
 The steel grade and surface materials are identical.



Change	-	-	replaced by	06.04.2021	LB
	-	-			-
	-	-			-
	-	-			-
Item no.	2141-0002		Scale		
release			1:10	Format	Sheet/Sheets
Order no.				A	1/1
<b>Schmidlin</b> www.schmidlinusa.com			<b>Schmidlin CORSO</b> 72"x36"x17 3/4"		
Drawing no.				Version	
01.1.0002988					