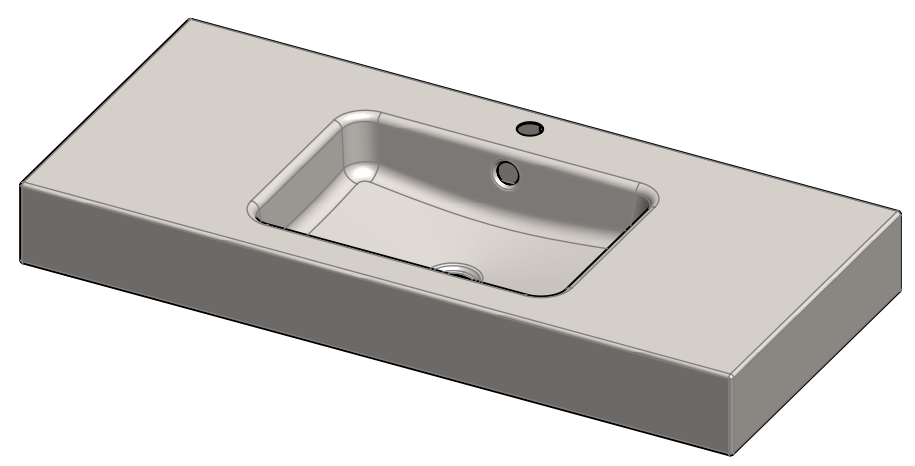
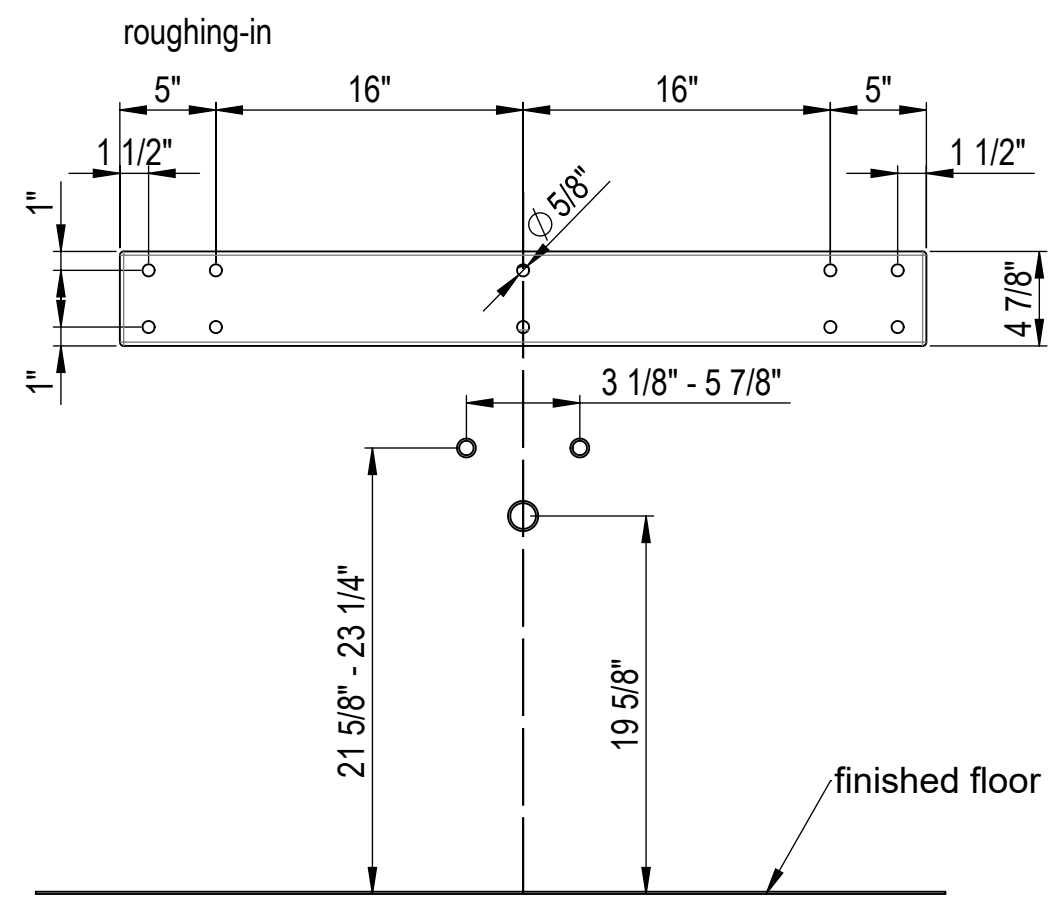
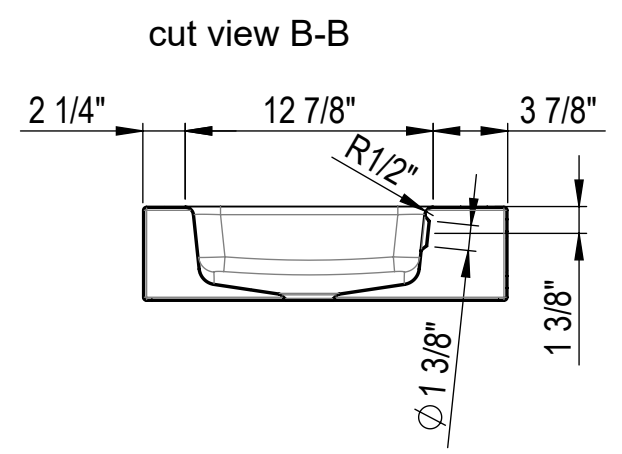
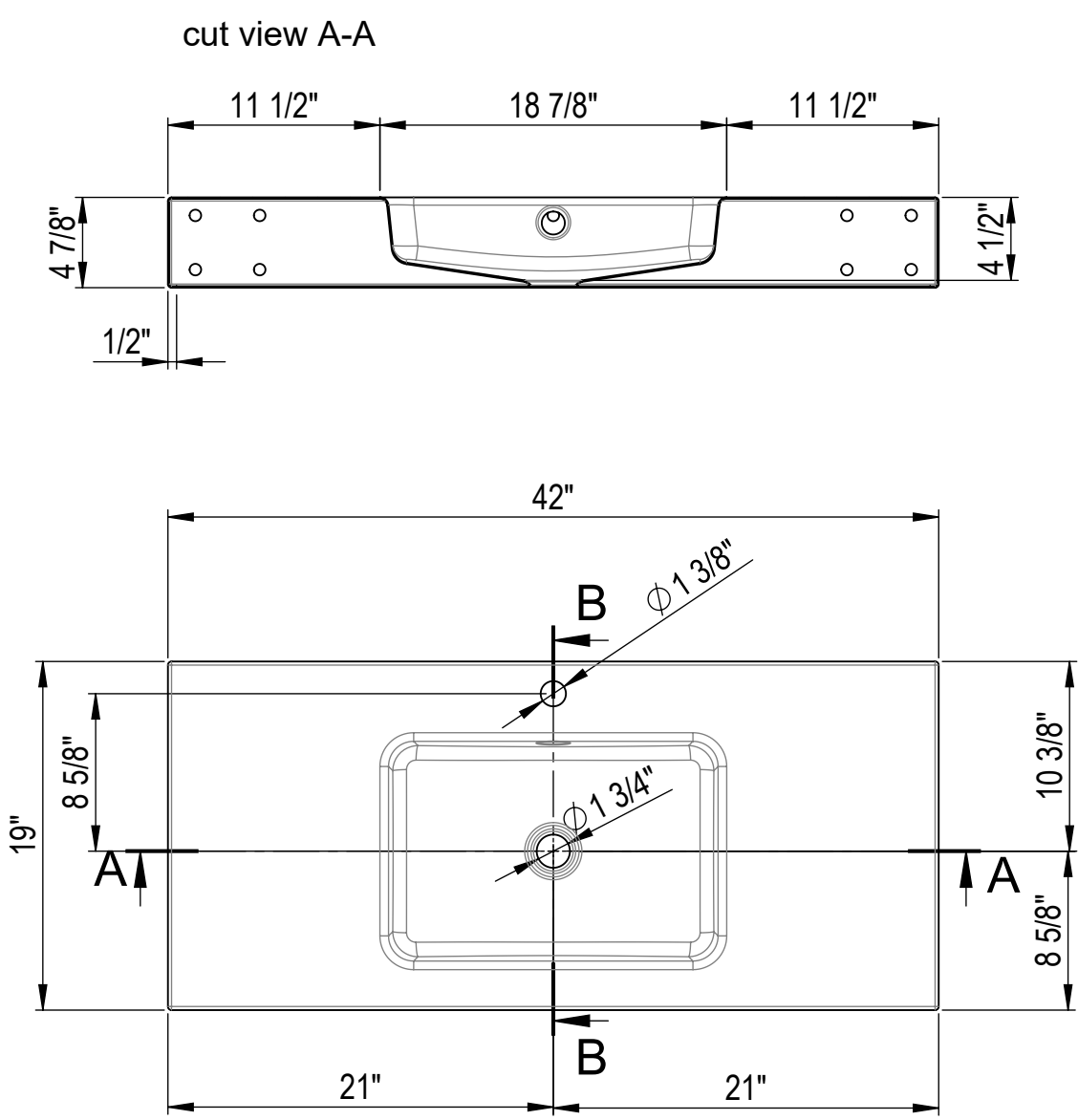
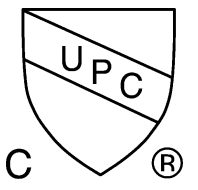


We reserves all rights in this document and it's subject matter. The recipient hereby acknowledges these rights and assures the use of this document only for the purpose it was delivered. © Wilhelm Schmidlin AG



All products are made in the same factory with the same processes.  
The steel grade and surface materials are identical.



Change	a	22.02.2019	LB	Höhe 140	-	-	replaced by	17.12.2018	LB
	b	17.06.2019	LB	AL 218mm	-	-			-
	c	21.08.2019	LB	ALwall215	-	-			-
	-	-	-	-	-	-			-
Item no.		2129-0003		Scale		1:10		Format Sheet/Sheets	
release				Order no.				A 15/23	
Order no.				Drawing no.		01.1.0002544		Version C	
<b>Schmidlin</b> www.schmidlinusa.com		<b>Schmidlin MERO</b> wall-mount washbasin 42"x19"x4 7/8", faucet hole and overflow hole		Plotdatum:		15.03.2021			

CAD-System: SolidWorks