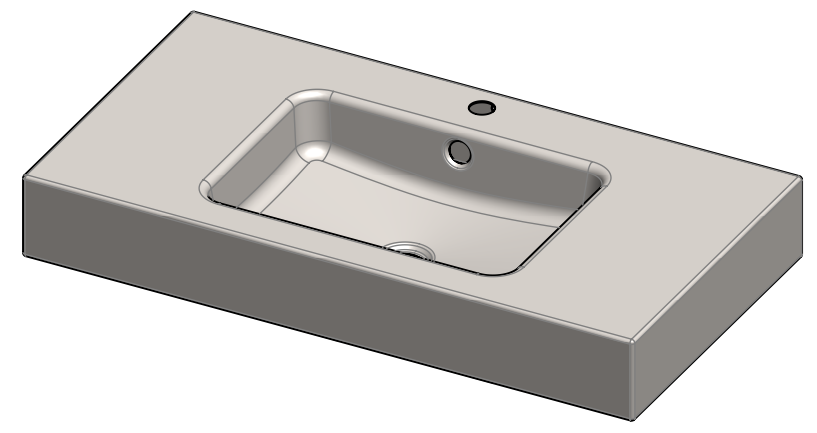
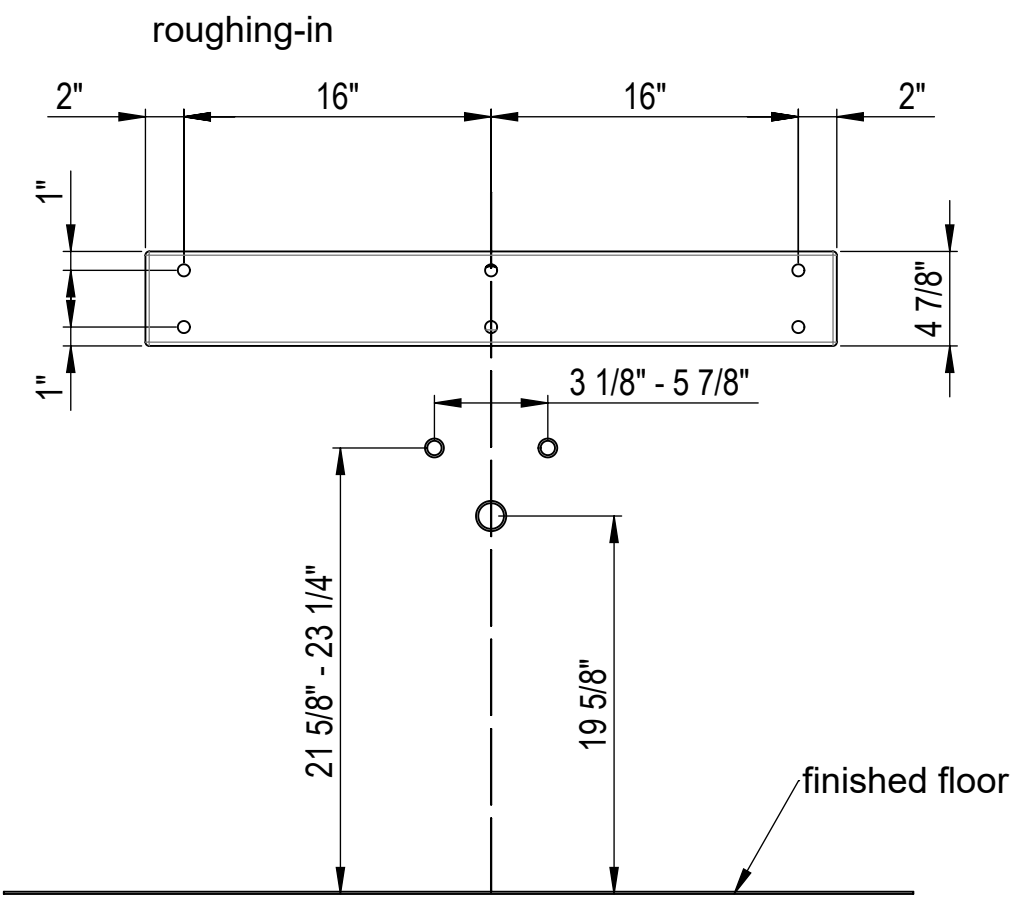
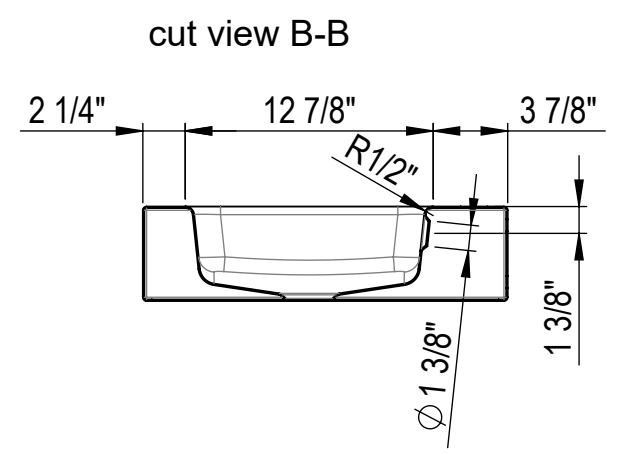
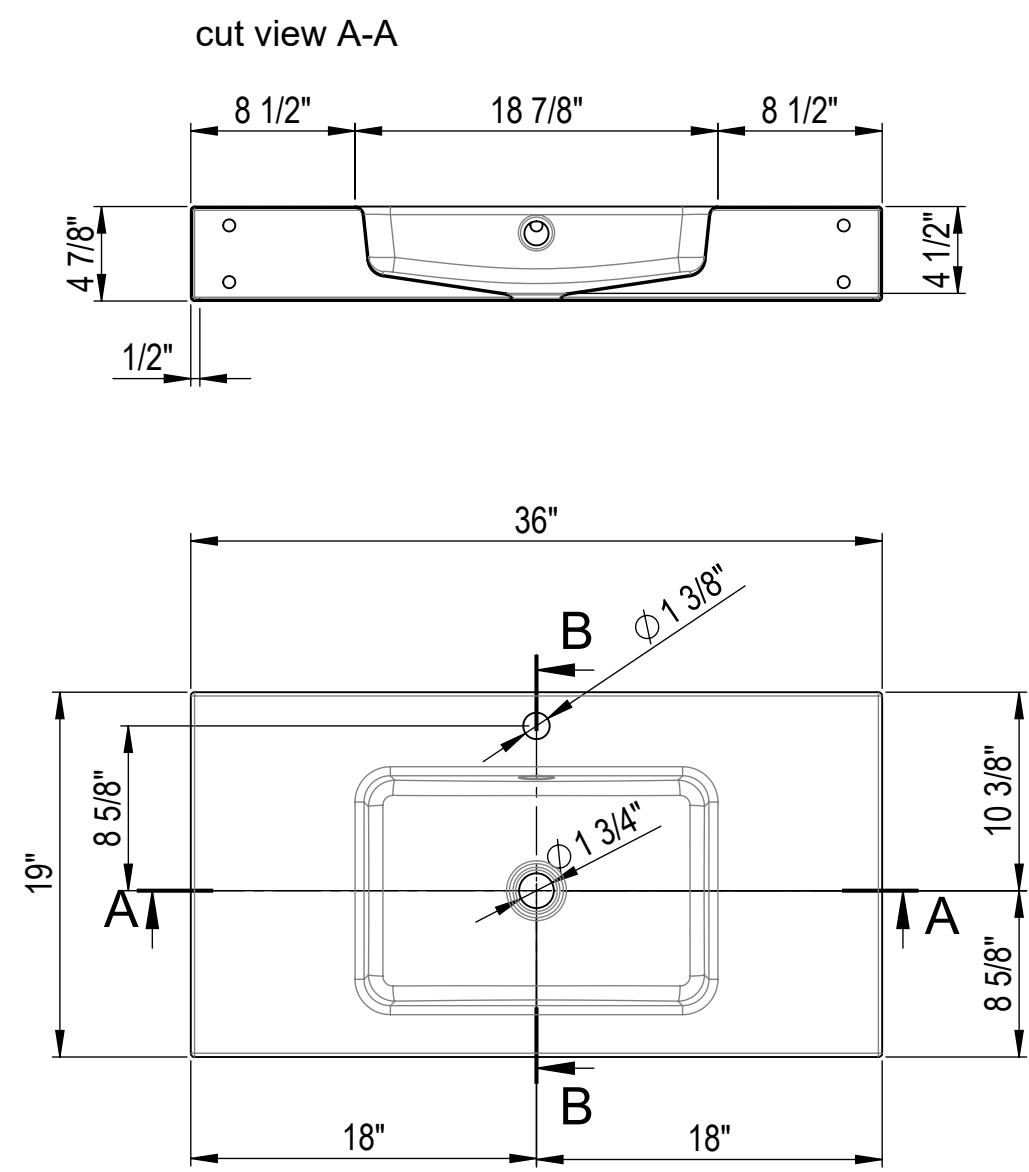
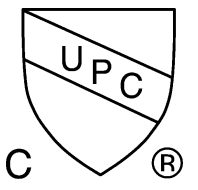


We reserves all rights in this document and it's subject matter. The recipient hereby acknowledges these rights and assures the use of this document only for the purpose it was delivered. © Wilhelm Schmidlin AG



All products are made in the same factory with the same processes.
The steel grade and surface materials are identical.



Change	a	22.02.2019	LB	Höhe 140	-	-	replaced by	17.12.2018	LB	
	b	17.06.2019	LB	AL 218mm	-	-			-	
	c	21.08.2019	LB	ALwall215	-	-			-	
	-	-	-	-	-	-			-	
Item no.		2102-0003			Scale		1:10			
release					Format		Sheet/Sheets			
Order no.					Version		A 12/23			
Schmidlin ™					Schmidlin MERO					
www.schmidlinusa.com					wall-mount washbasin 36"x19"x4 7/8", faucet hole and overflow hole					
Drawing no.							01.1.0002543			
Version							C			

CAD-System: SolidWorks