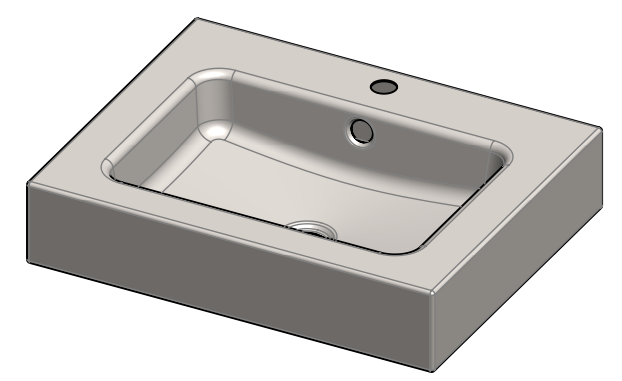
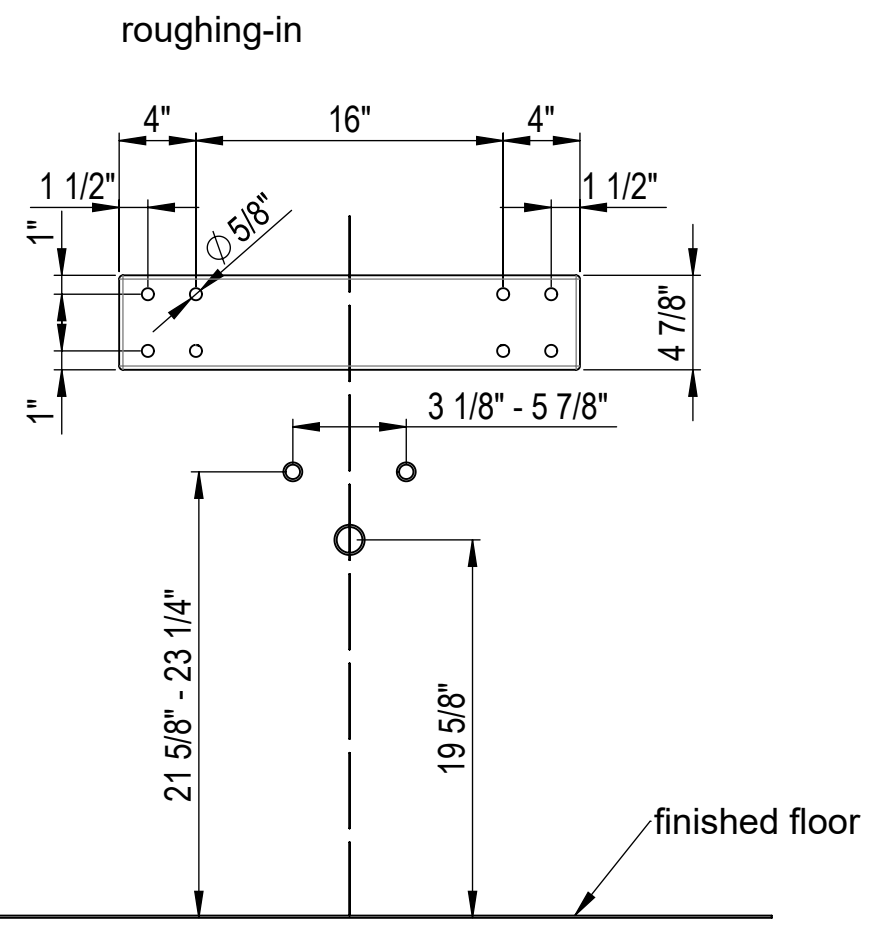
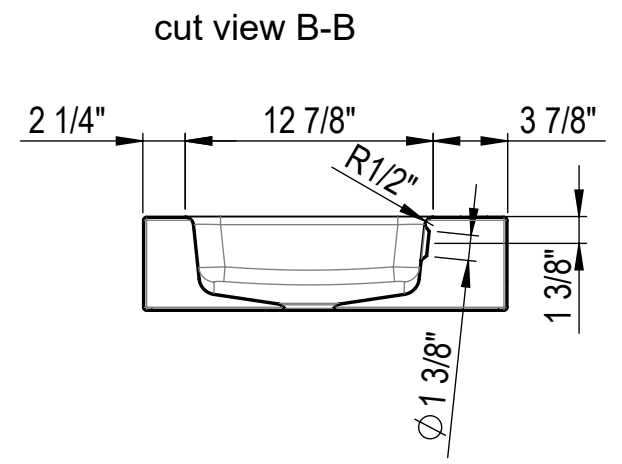
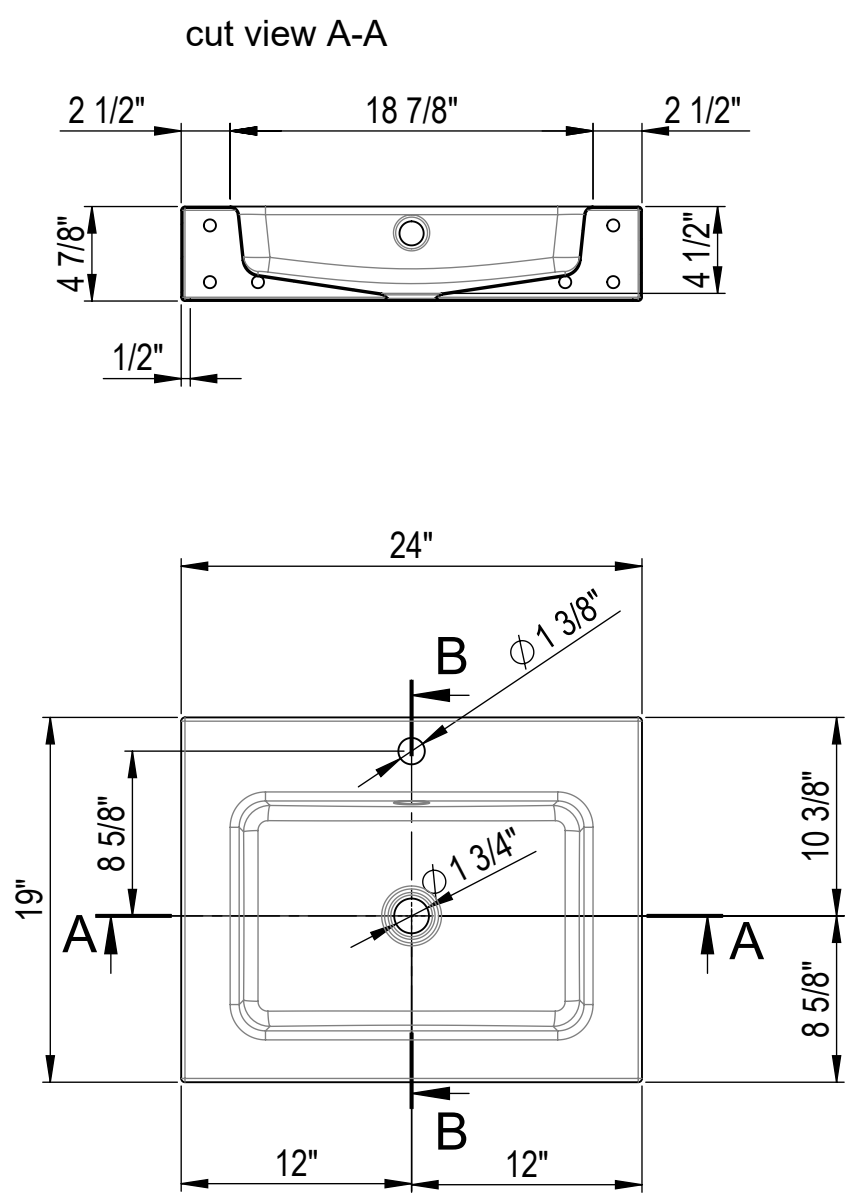
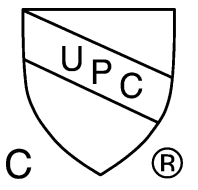


We reserves all rights in this document and it's subject matter. The recipient hereby acknowledges these rights and assures the use of this document only for the purpose it was delivered. © Wilhelm Schmidlin AG



All products are made in the same factory with the same processes. The steel grade and surface materials are identical.



Change	a	22.02.2019	LB	Höhe 140	-	-	replaced by	17.12.2018	LB
	b	17.06.2019	LB	AL 218mm	-	-			-
	c	21.08.2019	LB	ALwall215	-	-			-
	-	-	-	-	-	-			-
Item no.		2111-0003			Scale		1:10		
release					Format		A		
Order no.					Sheet/Sheets		6 / 22		
Schmidlin™		Schmidlin MERO			Drawing no.		01.1.0002541		
www.schmidlinusa.com		wall-mount washbasin 24"x19"x4 7/8", faucet hole and overflow hole			Version		C		