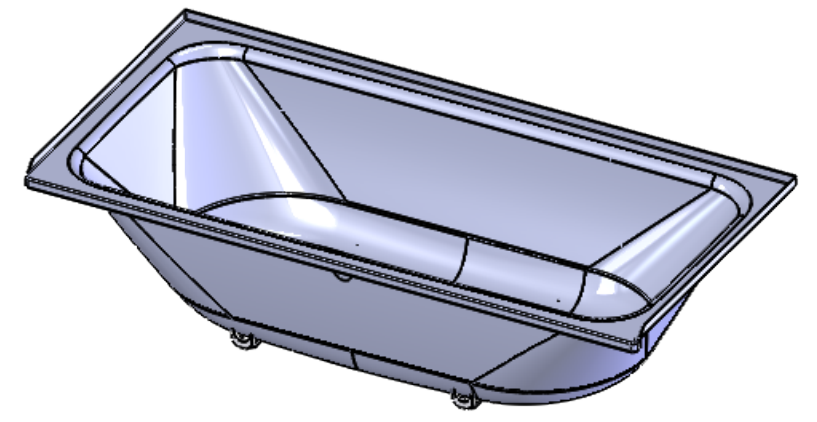
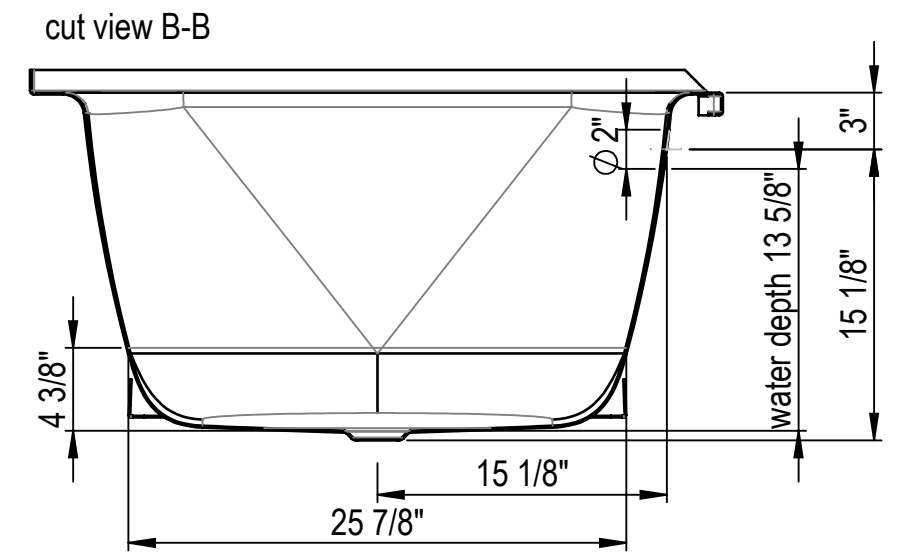
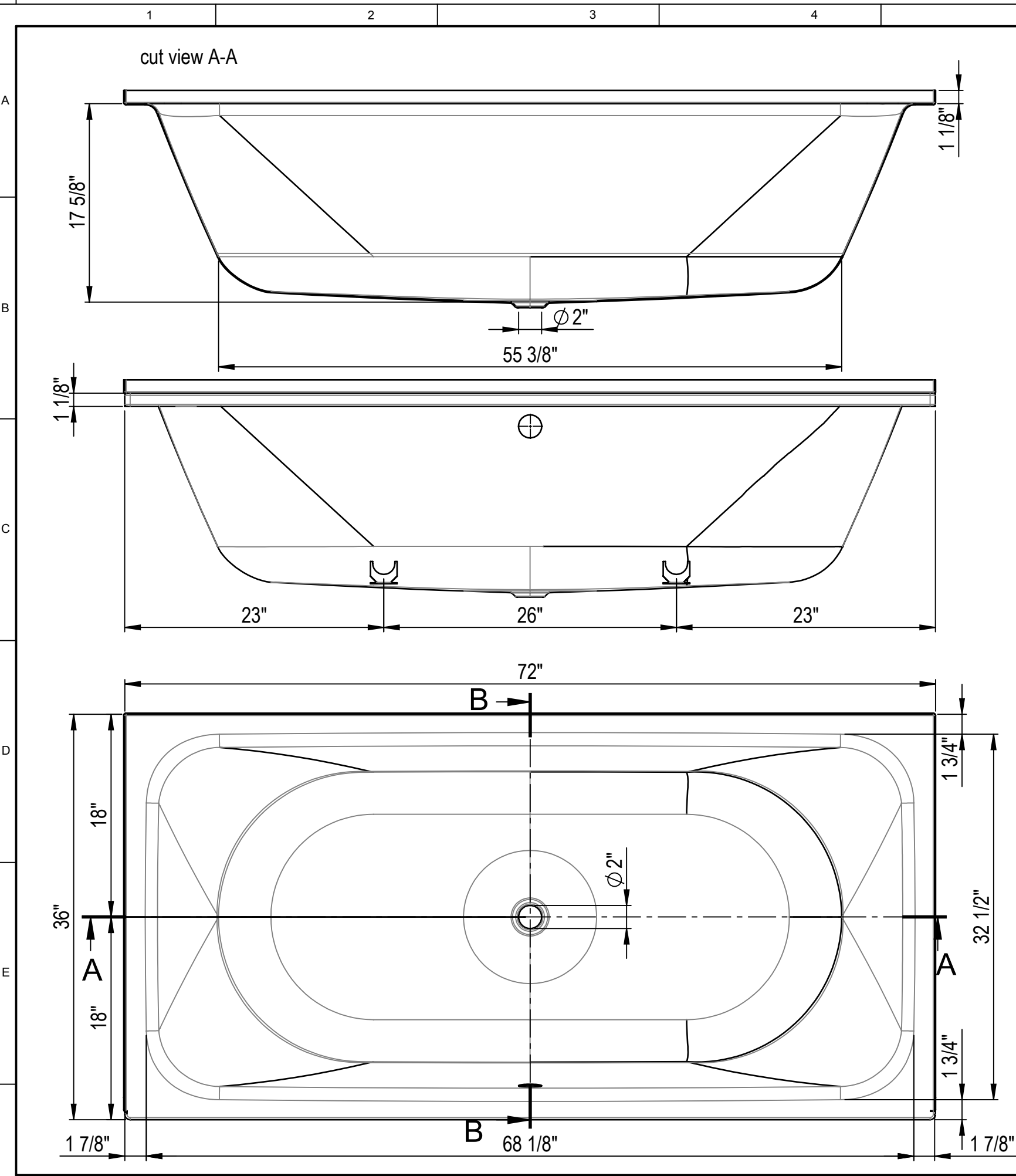


We reserves all rights in this document and it's subject matter. The recipient hereby acknowledges these rights and assures the use of this document only for the purpose it was delivered. © Wilhelm Schmidlin AG



Material:
 Glazed titanium steel
 Slip resistant surface Schmidlin ANTIGLISS included
 All products are made in the same factory with the same processes.
 The steel grade and surface materials are identical.



Change	OM 22.05.2024	Change	-	-	replaced by	06.04.2021	LB
-	-	-	-	-	-	-	-
-	-	-	-	-	-	-	-
-	-	-	-	-	-	-	-
Item no.	2141-0003	Scale	1:10		Format	Sheet/Sheets	
release					A	10 / 10	
Order no.					Drawing no.	Version	
Schmidlin		Schmidlin CORSO			01.4.0003226		
www.schmidlinusa.com		72"x36"x17 3/4", tile flanges on 3 sides			Plotdatum: 22.05.2024		

CAD-System: SolidWorks