

ADA compliance of Schmidlin Products

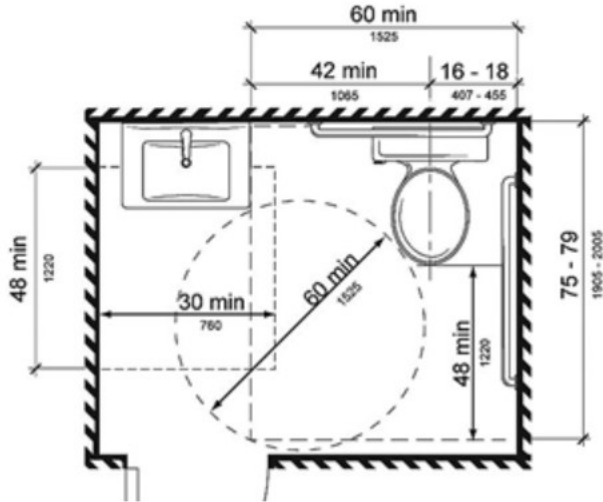


Please find the ADA Standards under the following link:
<https://www.ada-compliance.com/ada-compliance/2010-ada-standards>

Schmidlin washbasins

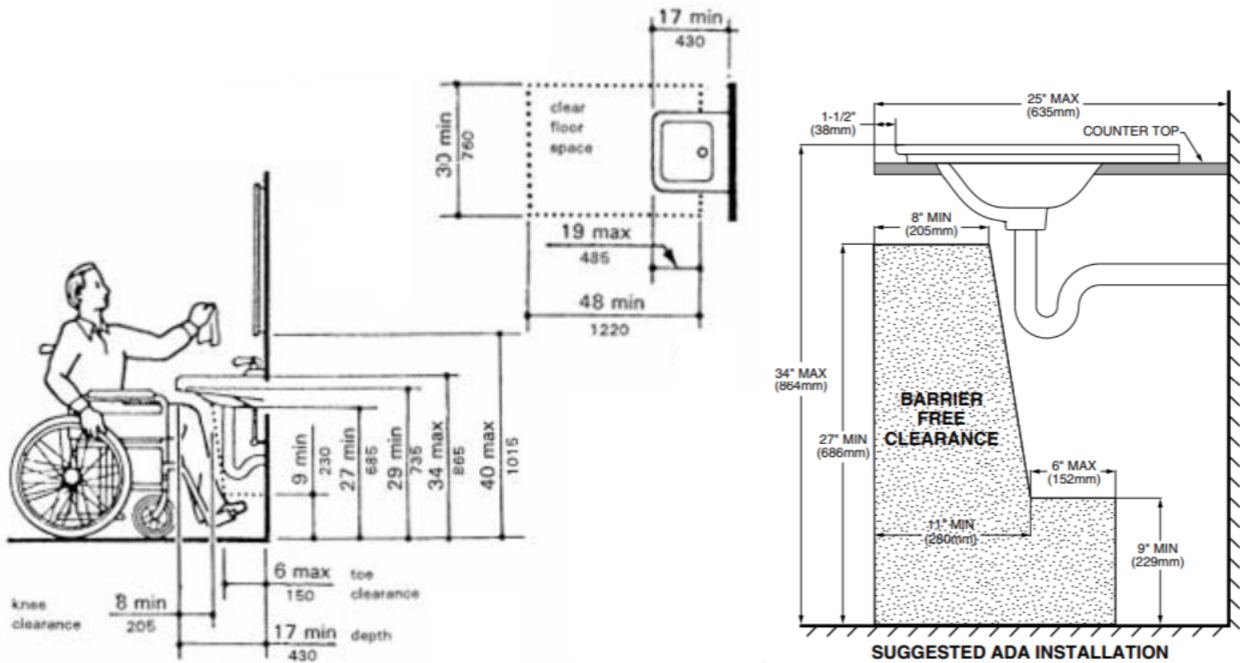
See Section 606 of the ADA Standards for written CIE-412-10855 requirements and diagrams to assist in specification.

General requirements in the bathroom layout:



Meets the "Americans with disabilities act guidelines" and ICC ANSI A117.1 accessible and usable buildings and facilities codes. (Check local codes).

Requirements for the washbasin installation:

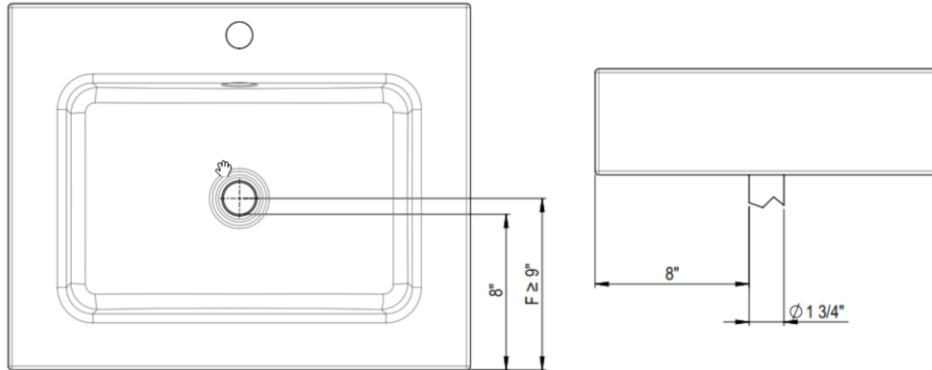


One key ADA requirement for wall-mounted lavatory washbasins is the maximum height of 34" from the finished floor (606.3). The required knee clearance (306.3) from the floor (up to 27" height) can be fulfilled with the Schmidlin wall-mount washbasins when installed on the correct height.

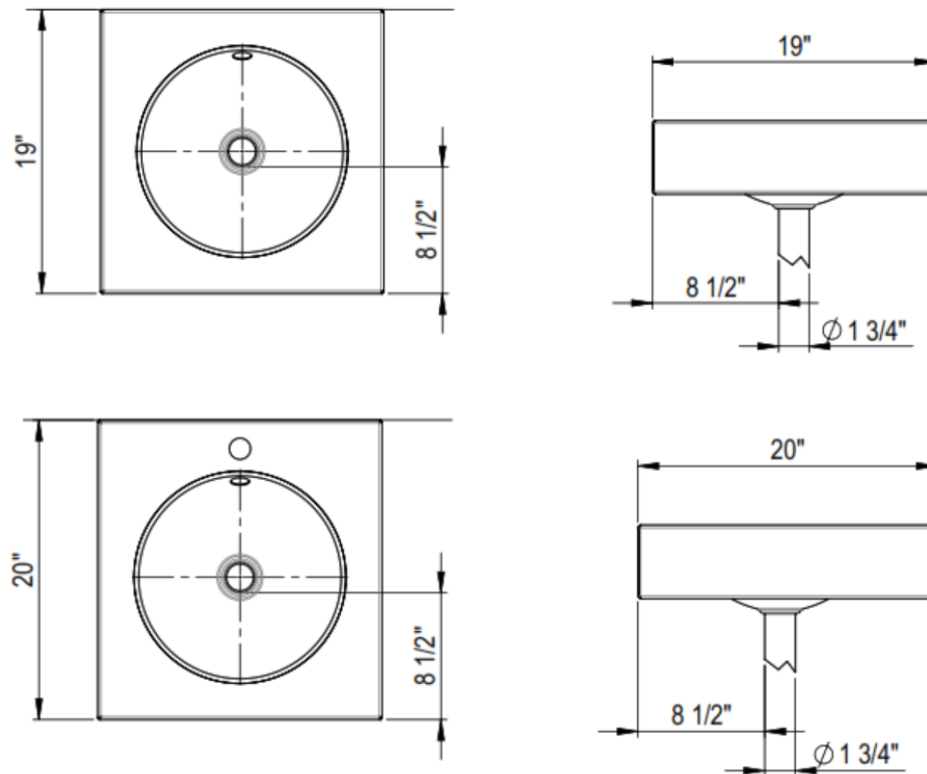
The minimal required depth knee clearance from the front of the washbasin of 8" (306.3.3) can be fulfilled with all **ORBIS**, **MERO** and **CONTURA** wall-mounted washbasins. The ORBIS MINI does not fulfill this requirement. The MERO MINI only fulfills the requirement when ordered made to measure as MERO MINI VARIO.

For ADA compliance washbasins in or on sideboards (as **undermount**, **drop-in** or **vessel** sinks) must be installed at 1 1/2" from the front edge of this countertop.

All **MERO** wall-mounted washbasins are ADA compliant. On Made to Measure orders, the dimension F has to be higher than 9".



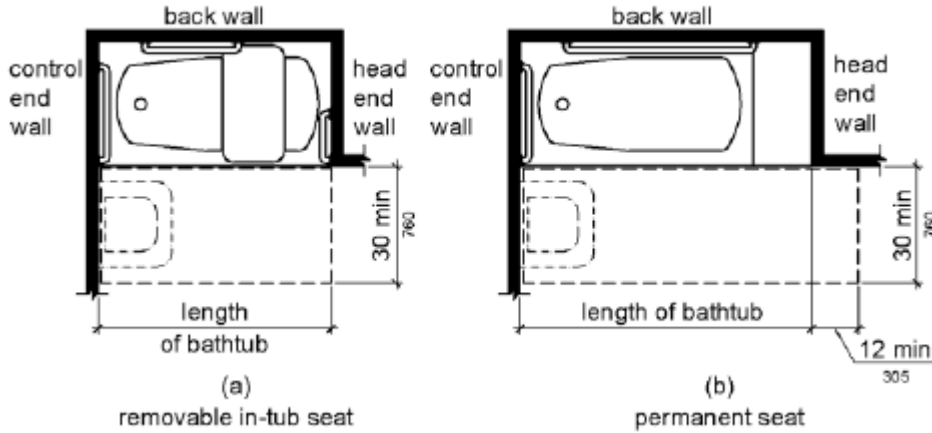
All **ORBIS** wall-mounted washbasins are ADA compliant. On Made to Measure orders, the dimension F has to be higher than 9".



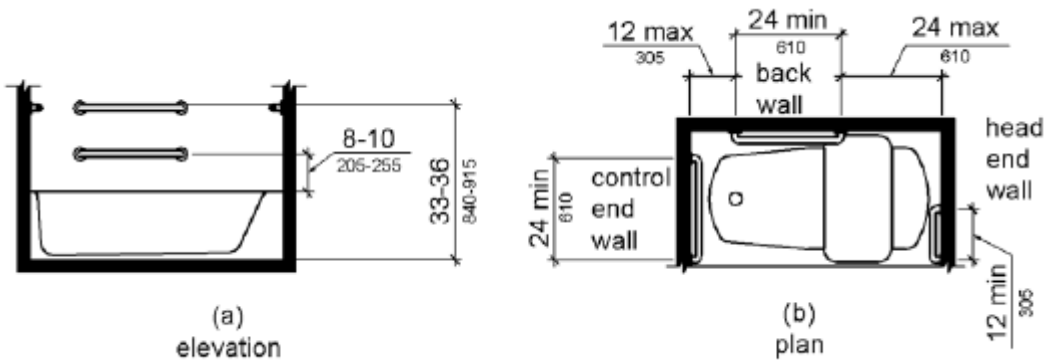
Schmidlin bathtubs

See section 607 of the ADA Standards for written requirements and diagrams to assist in specification. With Schmidlin **NORM CLASSIC, RIVA CLASSIC and URBAN CLASSIC** bathtubs the ADA requirements can be fulfilled once the bathroom layout is designed according the ADA Standards.

Requirements for the bathtub installation:



Clearance in front of bathtubs shall extend the length of the bathtub and shall be 30" wide minimum. A permanent seat at the head end of the bathtub or a removable in-tub seat shall be provided. Seats shall comply with 610.

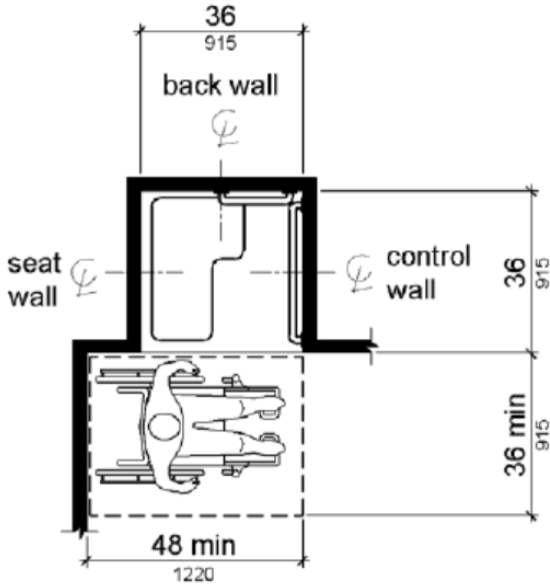


Grab bars for bathtubs shall comply with 609 and shall be provided in accordance with 607.4.1 or 607.4.2.

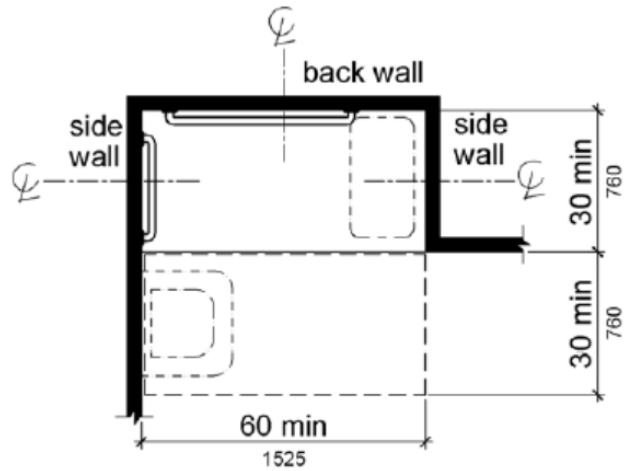
Schmidlin shower bases

ADA Standards separate two types of shower bases: "Transfer bases" are designed to allow easy transfer from a wheelchair to an ADA seat, while "Roll-In bases" allow for the full wheelchair to enter the shower.

When installed correctly all shower bases **"super flat" of the sizes 60"x30", 60"x32" and all sizes from 36"x36" to 60"x40"** are ADA compliant as "Roll-In bases" and meet current ADAAG 2010 and ANSI A117.1 guidelines.



Note: inside finished dimensions measured at the center points of opposing sides



Note: inside finished dimensions measured at the center points of opposing sides

See Section 608 of the ADA Standards for written requirements and diagrams to assist in specification.