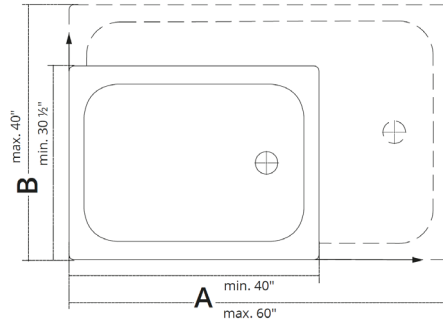
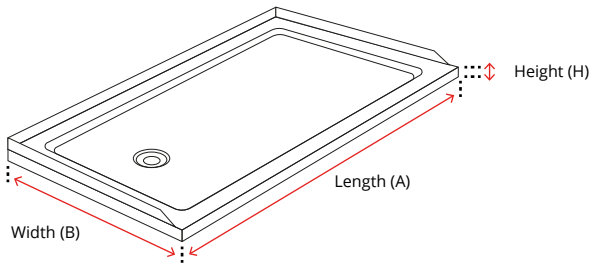


Order form Showerbase Flat / Superflat VARIO

P.O.: _____ Date: _____ Distributor: _____



Height (H)

Flat (2 1/2")
Article: 2255-9999

Super Flat (1 1/4")
Article: 2277-9999



Length (A)

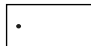
_____ inch (min 40", max 60")





Width (B)

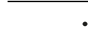
_____ inch (min 30 1/2", max 40")

Drain Position & Tile Flange

Drain Left
Tile Flange 3 sides 

Drain Right
Tile Flange 3 sides 

Drain Left
Tile Flange 2 sides 

Drain Right
Tile Flange 2 sides 

Colors

- white gloss (C001)
- white matte (C058)
- black matte (C003)
- biscuit-pergamon gloss (C043)
- dark gray matte (C061)
- light gray matte (C060)
- anthracite matte (C062)
- other color _____

Options

- Fast delivery (3 weeks from order to delivery)
- CLEANEEFFECT
- Custom-made round hole (D ≥ 18")

Accessories

- Schmidlin mounting angles for tile flange, 4 pcs
- Schmidlin 2 -corner tape-flange, 155"

Distributor Signature: _____

Slip resistant surface ANTIGLISS included.
Dimensional definition is possible in 1/2 inch steps.

Important: Please allow for a tolerance of up to 1/4" for bowl placement and overall dimensions.

Send this form with the P.O. to: order@schmidlinusa.com

Carefully review inside vanity specifications to ensure that there is proper clearance to accommodate the bowl, drain and optional integrated overflow, if applicable. Please take into consideration the thickness of material under the counter-top when positioning sink bowl, using a deck-mounted faucet or when adding an overflow and drain set.