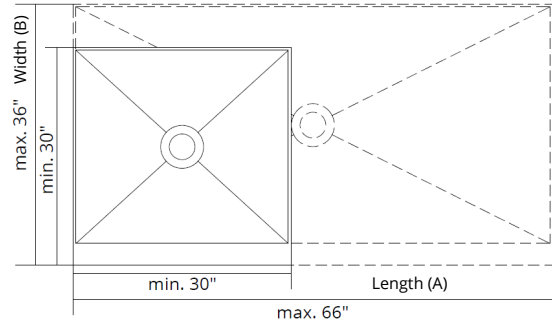
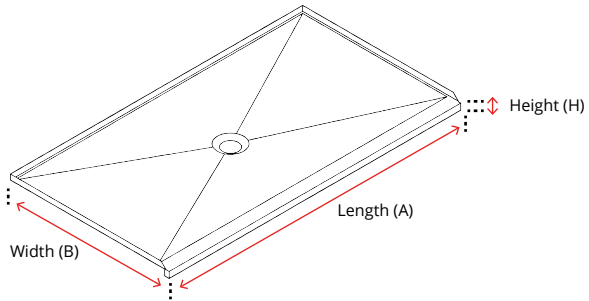


Order form Showerbase VERTEX ALCOVE VARIO

P.O.: _____ Date: _____ Distributor: _____



Height (H)

VERTEX ALCOVE (1 3/8")
Article: 2462-9999



Length (A)

_____ inch (min 30", max 66")



Width (B)

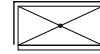
_____ inch (min 30", max 36")

Drain Position &
Tile Flange

Drain Center
No Tile Flange
TF00



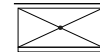
Drain Center
Tile Flange 3 sides
TF05



Drain Center
Tile Flange 2 sides
TF06



Drain Center
Tile Flange 2 sides
TF07



Colors

- white gloss (C001)
- white matte (C058)
- black matte (C003)
- biscuit-pergamon gloss (C043)
- dark gray matte (C061)
- light gray matte (C060)
- anthracite matte (C062)
- other color _____

Options

- Fast delivery (3 weeks from order to delivery)
- CLEANEEFFECT
- Custom-made round hole (D ≥ 18")

Accessories

- Schmidlin mounting angles for tile flange, 4 pcs
- Schmidlin 2-corner tape-flange, 155"

Distributor Signature: _____

Slip resistant surface ANTIGLISS included.
Dimensional definition is possible in 1/2 inch steps.

Important: Please allow for a tolerance of up to 1/4" for drain placement and overall dimensions.
Send this form with the P.O. to: order@schmidlinusa.com
Carefully review installation site dimensions to ensure that there is proper clearance to accommodate drain fittings. Please take into consideration the thickness of material when positioning the showerbase or when adding a drain set.