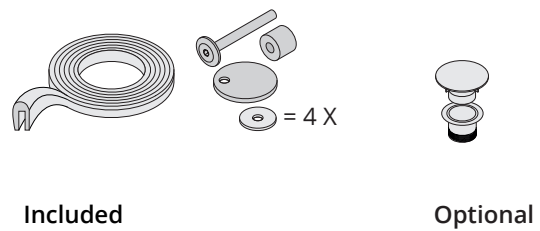
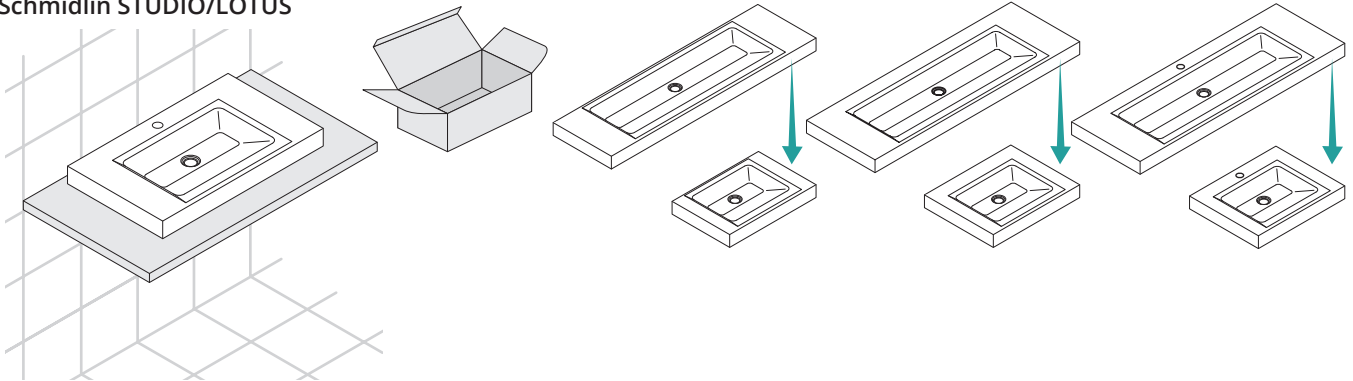
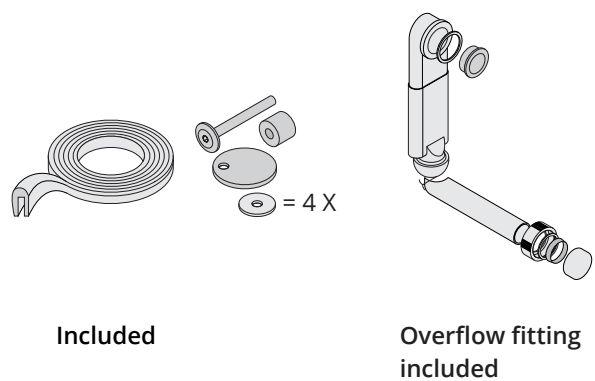
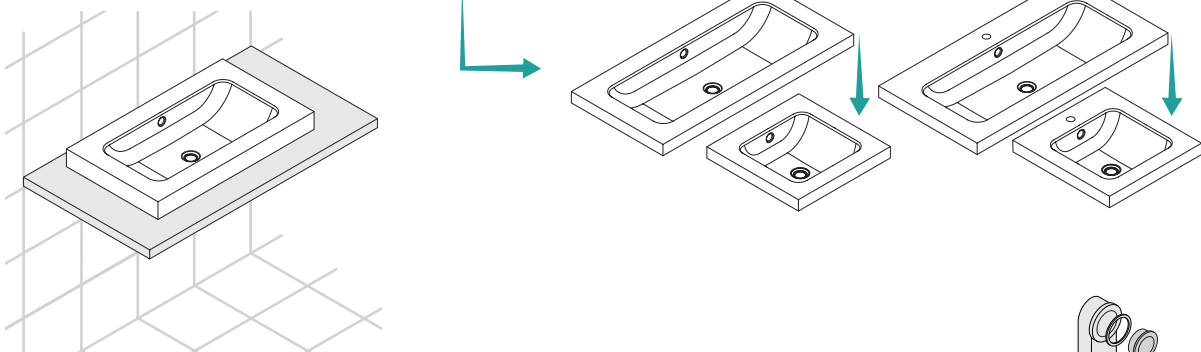


## Schmidlin counter top washbasins

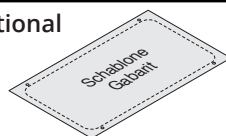
### Schmidlin STUDIO/LOTUS



### Schmidlin CONTURA/ORBIS/MERO



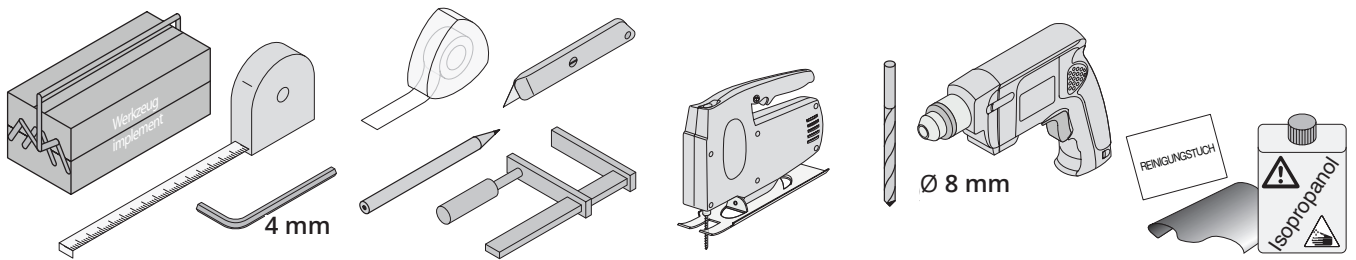
Optional



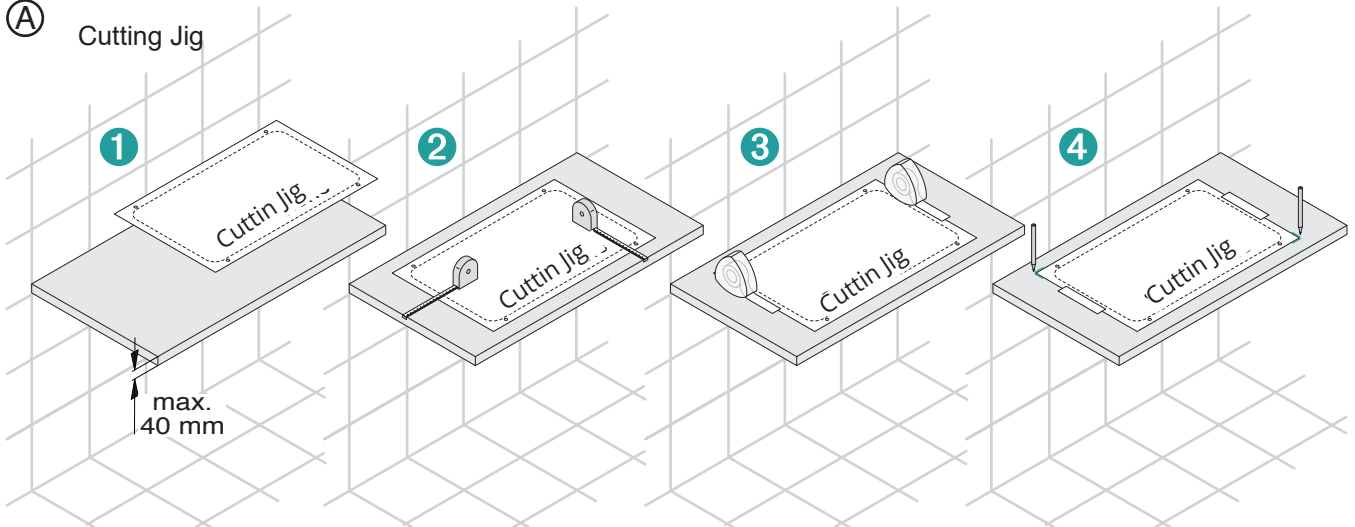
Cutting Jig can be downloaded on [www.schmidlin.ch](http://www.schmidlin.ch)

# Schmidlin counter top washbasins

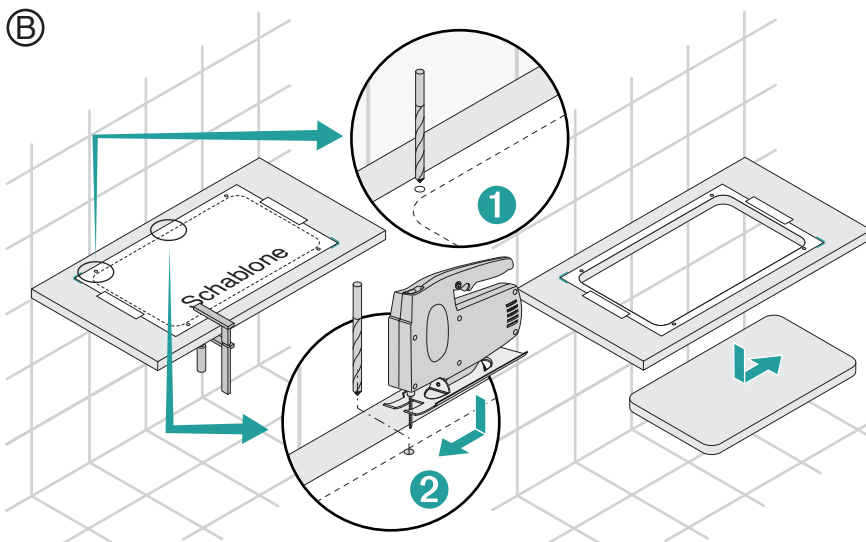
## Assembly



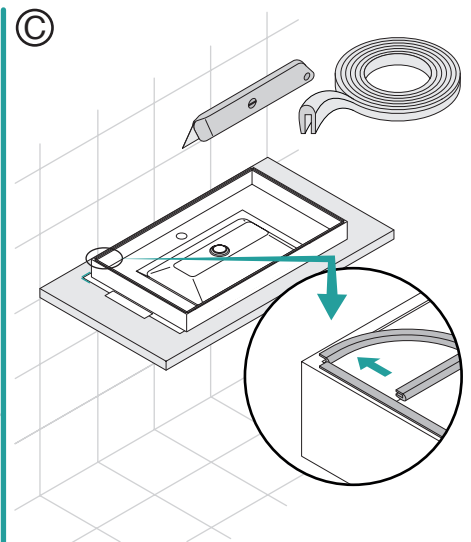
## A Cutting Jig



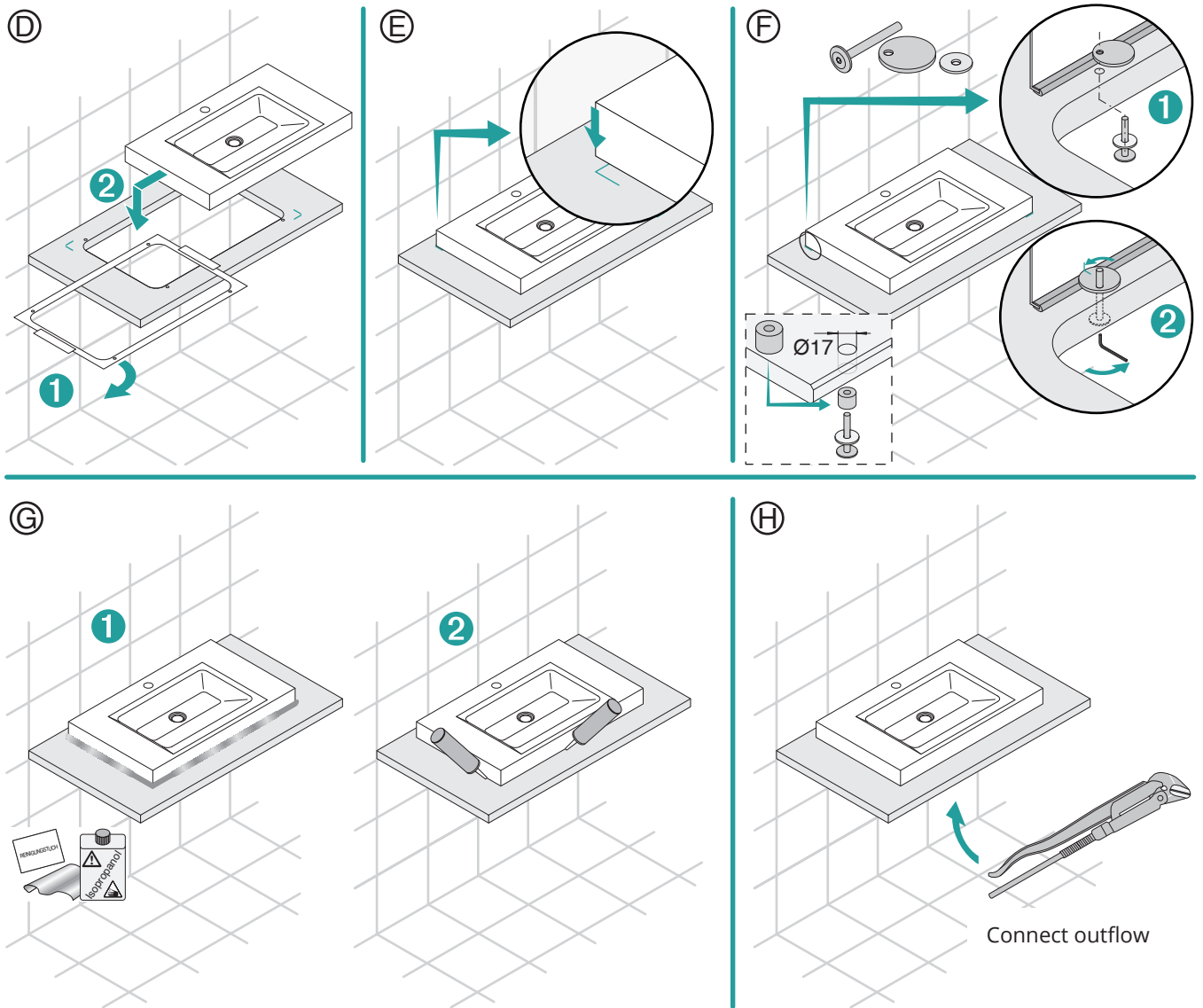
## B



## C



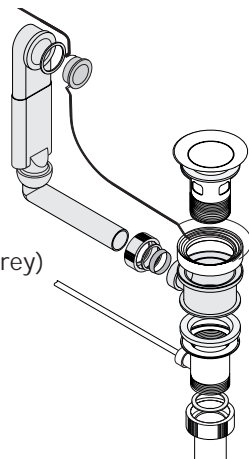
# Schmidlin counter top washbasins Assembly



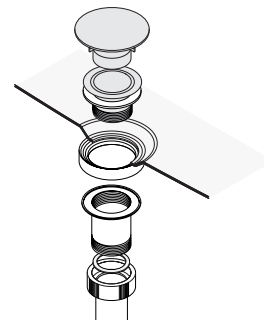
Delivery and installation by client

Schmidlin washbasins with overflow

Overflow Set (grey) included

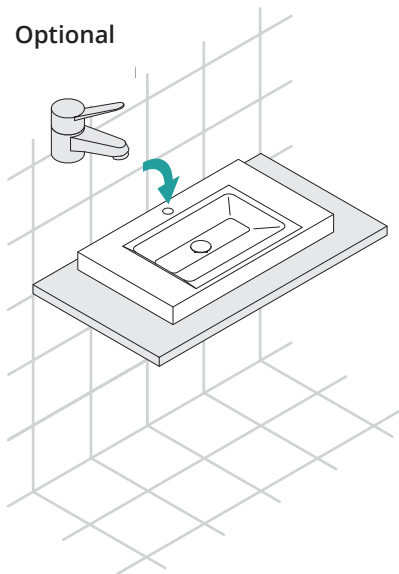


Optional with Schmidlin washbasins without overflow

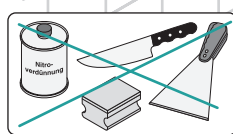
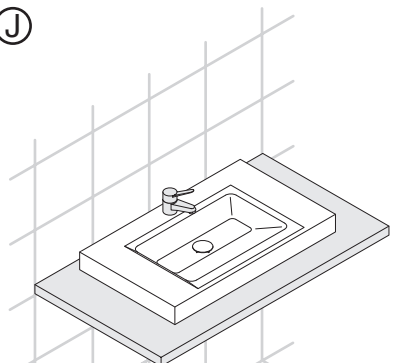


## Schmidlin counter top washbasins Assembly

Optional



Ⓜ



Clean

