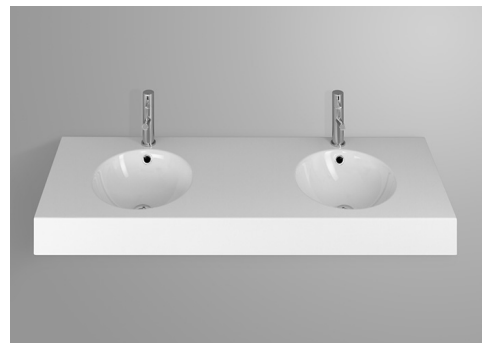


Material

- Glazed titanium steel

Features

- double basin
- with overflow hole
- with faucet hole bench
- installation kit and overflow set (ABS) included



Colors

- C058 White matte
- C__ Color class C, D, E



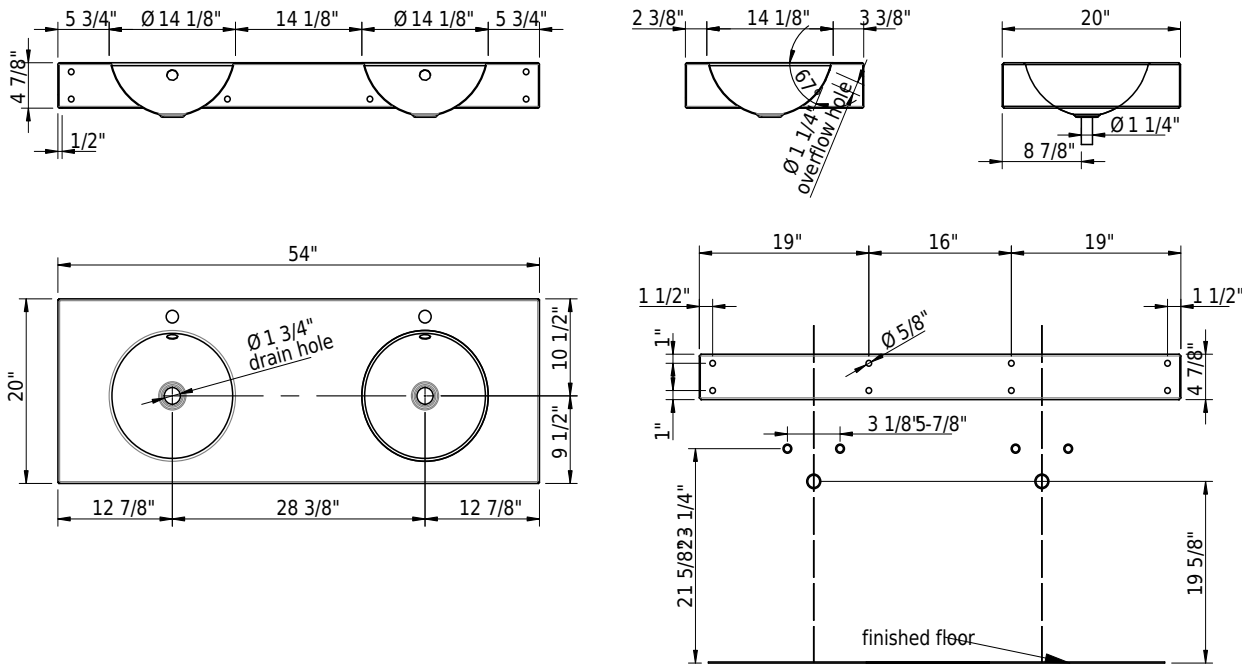
→ color list

Options

- FH2 3-hole faucet (4")
- FH3 3-hole faucet (8")
- CE1 CLEANEFFEKT
- Custom round hole
- SDH2 Hole for Schmidlin built-in soap dispenser (Ø 1")
- TPD1 Tissue paper dispenser
- OH0 Without overflow hole
- FH1 Single hole faucet
- FH0 without faucet hole

Accessories

- 111716 Schmidlin ELEMENT magnetic towel holder, black matt
- 108240 Schmidlin ELEMENT magnetic towel holder, chrome-plated
- 109547 Schmidlin ELEMENT, magnetic candle holder
- 108242 Schmidlin ELEMENT, magnetic glass holder
- 108243 Schmidlin ELEMENT, magnetic soap dish
- 108241 Schmidlin ELEMENT, magnetic soap dispenser
- 111479 Schmidlin MAGNO magnetic soapdispenser white
- 111480 Schmidlin MAGNO magnetic soapdispenser, black matte
- 111482 Schmidlin MAGNO magnetic toothbrush holder, black matte
- 111481 Schmidlin MAGNO magnetic toothbrush holder, white
- 100534 Reinforcement flange for tap mounting
- zub_Schmidlin Back- / side-splash Schmidlin Back- / side-splash
- 100530 Schmidlin soap dispenser



Technical Information

with faucet hole diameter	1 3/8"
Bowl configuration	double
Bowl depth	5 1/2"
Bowl size	Ø 14 1/8"
Water depth to overflow	3 5/8"
Drain hole diameter	1 3/4"



➤ Installation Instructions

Standards / Codes

- This product complies with
- ASME A112.19.1 / CSA B45.2
- ASTM F462
- ADA



Meets the americans with disabilities act guidelines and ANSI A117.1 requirements for accessibility and usability - check local code. Install with seat at head end.

Notes

- Overflow-set included
- Drain and faucet not included
- Refer to installation instructions
- We recommend the use of Schmidlin reinforcement flange for faucet installation

Important: Dimensions of fixtures are nominal and may vary within the range tolerances established by ANSI standard A112.19.4. These measurements are subject to change or cancellation. No responsibility is assumed for use of superseded or voided leaflet.

02/19/2026 Subject to technical changes.