

Material

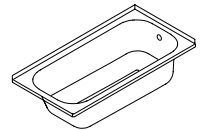
- Glazed titanium steel

Features

- ANTIGLISS included
- Integrated tile flanges
- Option made to measure

Compatible drain fittings

- Geberit offset, ABS 151.602.21.1 (polished chrome)
- Geberit offset, PP 150.183.00.1 (rough-in unit)
- Geberit offset, brass 151.450.00.1 (rough-in unit)
- Mountain Plumbing offset, brass BDR205BR22/FFF (cable drive)
- Mountain Plumbing offset, ABS BWO40S22A2/FFF (cable drive)
- Mountain Plumbing offset, PVC BWO40S22P2/FFF (cable drive)
- OS&B direct, brass 307DQ-25FFF (clicker)
- OS&B offset, PVC 5100QK-FFF (clicker)
- Jaco offset, brass 386-LT (cable-drive)
- Jaco offset, PVC 383-LT (cable-drive)



Variant no

Color

Tile flange

| | | |
|------------------------------------|----------------|---|
| <input type="checkbox"/> 2245-0002 | C1 white gloss | TF00 no tile flange |
| <input type="checkbox"/> 2245-0003 | C1 white gloss | TF01 Tile flange on 3 sides, drain left |
| <input type="checkbox"/> 2245-0004 | C1 white gloss | TF02 Tile flange on 3 sides, drain right |
| <input type="checkbox"/> 2245-0005 | C1 white gloss | TF03 Tile flanges left / back, drain left |
| <input type="checkbox"/> 2245-0006 | C1 white gloss | TF04 Tile flanges right / back, drain right |



Colors

- C058 White matte
- C__ Color class III,VI



➔ color list

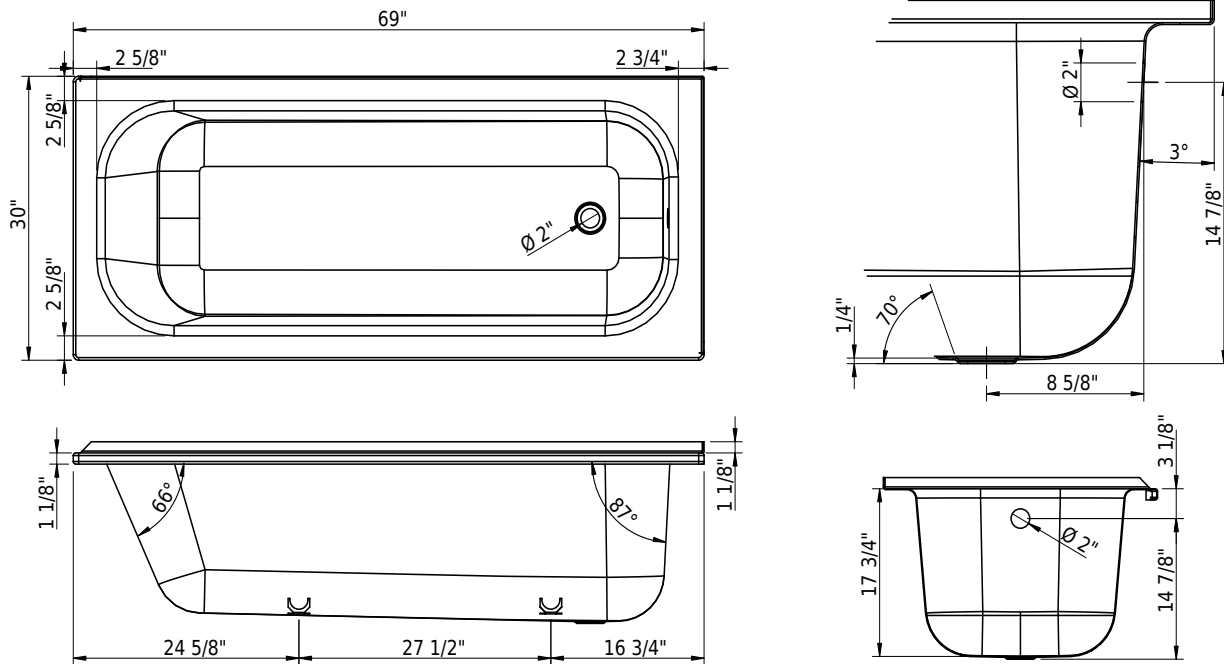
Accessories

- 109547 Schmidlin ELEMENT, magnetic candle holder
- 101187 Schmidlin RELAX bathtub pillow, black, 1 piece
- 117005 Schmidlin 2-corner tape-flange, 155" (4m)
- 109810 Schmidlin adjustable installation feet (4 pieces)
- 101196 Schmidlin mounting angle for tile flange (SIA 181), 4 pieces

Options

- CE1 CLEANEFFECT
- HC2 Handle CONTURA
- HS2 Handle SAFE
- Special length / width -1"/+2"

06/18/2026 Subject to technical changes.



Technical Information

| | |
|---------------------------------|---------|
| Installation location | corner |
| Weight without water | 121 lbs |
| Water depth to overflow | 13 1/2" |
| Max. water capacity to overflow | 60 gal |
| Drain opening | 2" |
| Overflow hole diameter | 2" |



➤ Installation Instructions

Standards / Codes

- This product complies with
- ASME A112.19.1 / CSA B45.2
- ASTM F462
- ADA



Meets the americans with disabilities act guidelines and ANSI A117.1 requirements for accessibility and usability - check local code. Install with seat at head end.

Notes

- Right hand outlet shown
- Bath faucet not included
- Refer to installation instructions
- We recommend the use of Schmidlin adjustable installation feet

Important: Dimensions of fixtures are nominal and may vary within the range tolerances established by ANSI standard A112.19.4. These measurements are subject to change or cancellation. No responsibility is assumed for use of superseded or voided leaflet.

06/18/2026 Subject to technical changes.