

Material

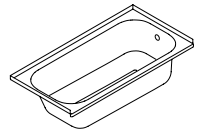
- Glazed titanium steel

Features

- ANTIGLISS included
- Integrated tile flanges
- Option made to measure

Compatible drain fittings

- Geberit offset, ABS 151.602.21.1 (polished chrome)
- Geberit offset, PP 150.183.00.1 (rough-in unit)
- Geberit offset, brass 151.450.00.1 (rough-in unit)
- Mountain Plumbing offset, brass BDR20SBR22/FFF (cable drive)
- Mountain Plumbing offset, ABS BWO40S22A2/FFF (cable drive)
- Mountain Plumbing offset, PVC BWO40S22P2/FFF (cable drive)
- OS&B direct, brass 314DQ-20FFF (clicker)
- OS&B offset, PVC 5100QK-FFF (clicker)
- Jaclo offset, brass 386-LT (cable drive)
- Jaclo offset, PVC 383-LT (cable drive)



Variant no

Color

Tile flange

<input type="checkbox"/> 2250-0002	C1 white gloss	TF00 no tile flange
<input type="checkbox"/> 2250-0003	C1 white gloss	TF01 Tile flange on 3 sides, drain left
<input type="checkbox"/> 2250-0004	C1 white gloss	TF02 Tile flange on 3 sides, drain right
<input type="checkbox"/> 2250-0005	C1 white gloss	TF03 Tile flanges left / back, drain left
<input type="checkbox"/> 2250-0006	C1 white gloss	TF04 Tile flanges right / back, drain right



Colors

- C058 White matte
- C__ Color class III,VI



↗ color list

Options

- CE1 CLEANEFFECT
- HC2 Handle CONTURA
- HS2 Handle SAFE
- Special length / width -1"/+2"

Accessories

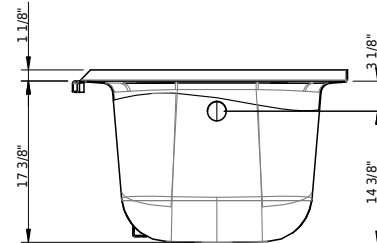
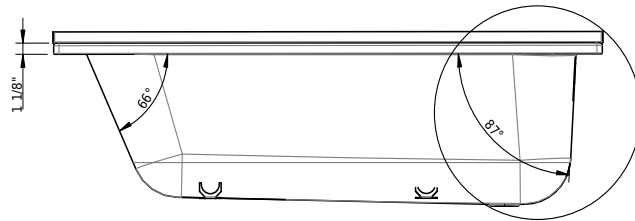
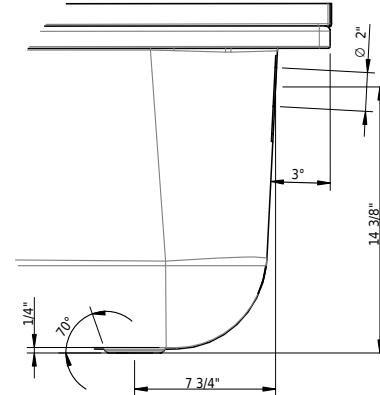
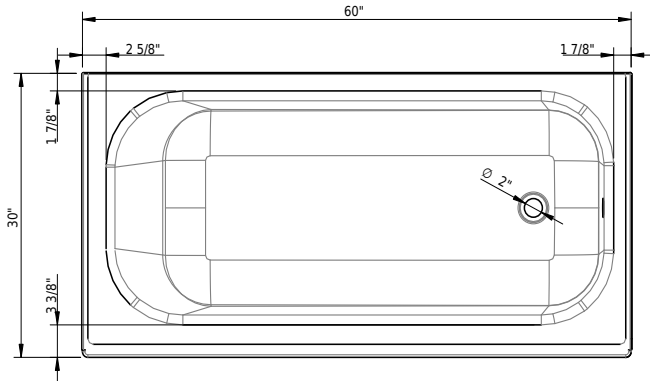
- 109547 Schmidlin ELEMENT, magnetic candle holder
- 101187 Schmidlin RELAX bathtub pillow, black, 1 piece
- 1610-0005 60" apron (glazed titanium steel) for installation Above Floor Rough in alcove only, C001
- 1610-0001 60" apron (glazed titanium steel) for installation in alcove only, C001
- 1610-0004 60" apron (glazed titanium steel) for installation in alcove only, C003
- 1610-0003 60" apron (glazed titanium steel) for installation in alcove only, C058
- 1610-0002 60" apron (glazed titanium steel) for installation in alcove only, C062

04/09/2026 Subject to technical changes.

Schmidlin NORM CLASSIC

60 x 30 x 17 ¾ inch
Article No: 2250-0004

- 117005 Schmidlin 2-corner tape-flange, 155" (4m)
- 109810 Schmidlin adjustable installation feet (4 pieces)
- 109809 Schmidlin magnetic installation brackets for apron (2 pieces)
- 101196 Schmidlin mounting angle for tile flange (SIA 181), 4 pieces
- 111020 Set of 60" apron, 4 adjustable feet, 2 magnetic brackets for Norm Classic 60", C001



Technical Information

Installation location	alcove
Weight without water	93 lbs
Water depth to overflow	12 3/4"
Max. water capacity to overflow	53 gal
Drain opening	2"
Overflow hole diameter	2"



➤ Installation Instructions

Standards / Codes

- This product complies with
- ASME A112.19.1 / CSA B45.2
- ASTM F462
- ADA



Meets the americans with disabilities act guidelines and ANSI A117.1 requirements for accessibility and usability - check local code. Install with seat at head end.

Notes

- Right hand outlet shown
- Bath faucet not included
- Refer to installation instructions
- We recommend the use of Schmidlin adjustable installation feet

Important: Dimensions of fixtures are nominal and may vary within the range tolerances established by ANSI standard A112.19.4. These measurements are subject to change or cancellation. No responsibility is assumed for use of superseded or voided leaflet.

04/09/2026 Subject to technical changes.