

Material

- Glazed titanium steel

Features

- ANTIGLISS included
- Integrated tile flanges
- Option made to measure

Compatible drain fittings

- Geberit offset, ABS 151.602.21.1 (polished chrome)
- Geberit offset, PP 150.183.00.1 (rough-in unit)
- Geberit offset, brass 151.450.00.1 (rough-in unit)
- Mountain Plumbing offset, brass BDR20SBR22/FFF (cable drive)
- Mountain Plumbing offset, ABS BWO40S22A2/FFF (cable drive)
- Mountain Plumbing offset, PVC BWO40S22P2/FFF (cable drive)
- OS&B direct, brass 314DQ-20FFF (clicker)
- OS&B offset, PVC 5100QK-FFF (clicker)
- Jaclo offset, brass 386-LT (cable drive)
- Jaclo offset, PVC 383-LT (cable drive)



Variant no	Color	Tile flange
<input type="checkbox"/> 2250-0002	C1 white gloss	TF00 no tile flange
<input type="checkbox"/> 2250-0003	C1 white gloss	TF01 Tile flange on 3 sides, drain left
<input type="checkbox"/> 2250-0004	C1 white gloss	TF02 Tile flange on 3 sides, drain right
<input type="checkbox"/> 2250-0005	C1 white gloss	TF03 Tile flanges left / back, drain left
<input type="checkbox"/> 2250-0006	C1 white gloss	TF04 Tile flanges right / back, drain right



Colors

- C058 White matte
- C__ Color class III,VI



↗ color list

Options

- CE1 CLEANEFFECT
- HC1 Handle CONTURA
- HC2 Handle CONTURA
- HS1 Handle SAFE

Accessories

- 109547 Schmidlin ELEMENT, magnetic candle holder
- 101187 Schmidlin RELAX bathtub pillow, black, 1 piece
- 1610-0005 60" apron (glazed titanium steel) for installation Above Floor Rough in alcove only, C001
- 1610-0001 60" apron (glazed titanium steel) for installation in alcove only, C001
- 1610-0004 60" apron (glazed titanium steel) for installation in alcove only, C003
- 1610-0003 60" apron (glazed titanium steel) for installation in alcove only, C058
- 1610-0002 60" apron (glazed titanium steel) for installation in alcove only, C062

06/18/2026 Subject to technical changes.

Schmidlin NORM CLASSIC

60 x 30 x 17 3/8 inch

Article No: 2250-0005

HS2 Handle SAFE

Special length / width -1"/+2"

117005

109810

116450

109809

101196

111020

Schmidlin 2-corner tape-flange, 155" (4m)

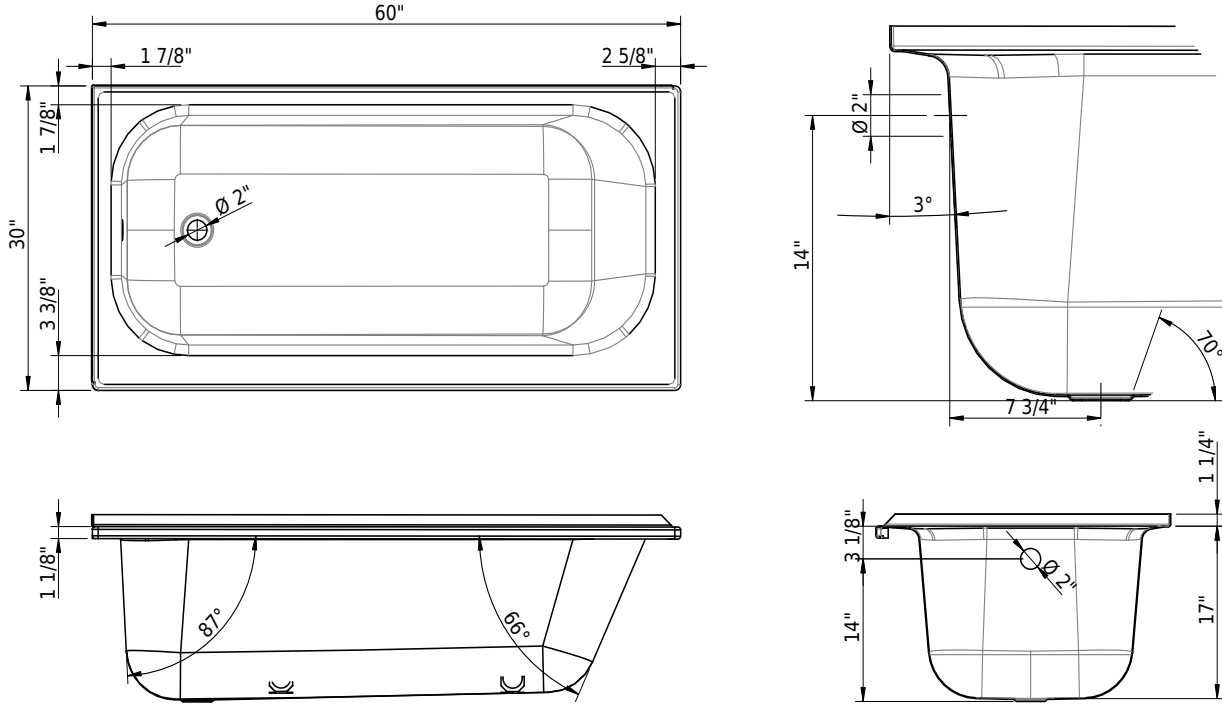
Schmidlin adjustable installation feet (4 pieces)

Schmidlin adjustable installation feet for Above floor Rough (4 pieces)

Schmidlin magnetic installation brackets for apron (2 pieces)

Schmidlin mounting angle for tile flange (SIA 181), 4 pieces

Set of 60" apron, 4 adjustable feet, 2 magnetic brackets for Norm Classic 60", C001



Technical Information

Installation location	corner
Weight without water	93 lbs
Water depth to overflow	12 3/4"
Max. water capacity to overflow	53 gal
Drain opening	2"
Overflow hole diameter	2"



➤ Installation Instructions

Standards / Codes

- This product complies with
- ASME A112.19.1 / CSA B45.2
- ASTM F462
- ADA

Notes

- Left hand outlet shown
- Bath faucet not included
- Refer to installation instructions
- We recommend the use of Schmidlin adjustable installation feet

Important: Dimensions of fixtures are nominal and may vary within the range tolerances established by ANSI standard A112.19.4. These measurements are subject to change or cancellation. No responsibility is assumed for use of superseded or voided leaflet.