

**Material**

- Glazed titanium steel

**Features**

- Slip resistant surface ANTIGLISS included

**Compatible drain fittings**

- Schmidlin, ABS, 117240
- OS&B ABS, SD35
- OS&B PVC, SD5135



**Variant no**

**Color**

**Tile flange**

<input type="checkbox"/> 2456-0002	C1 white gloss	TF00 no tile flange
<input type="checkbox"/> 2456-0003	C1 white gloss	TF01 Tile flange on 3 sides, drain left
<input type="checkbox"/> 2456-0004	C1 white gloss	TF02 Tile flange on 3 sides, drain right
<input type="checkbox"/> 2456-0005	C1 white gloss	TF03 Tile flanges left / back, drain left
<input type="checkbox"/> 2456-0006	C1 white gloss	TF04 Tile flanges right / back, drain right



**Colors**

- C058 White matte
- C\_\_ Color class C, D, E



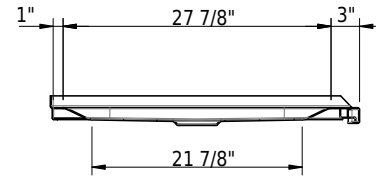
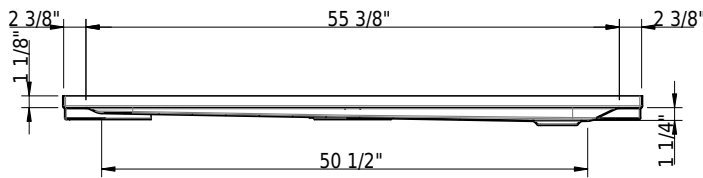
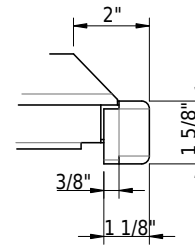
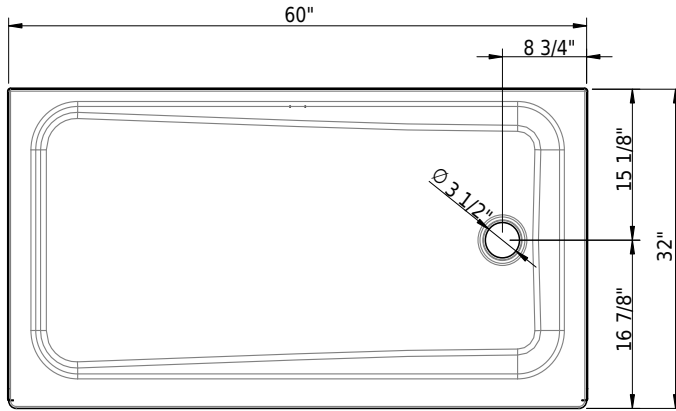
➤ color list

**Accessories**

- 117005 Schmidlin 2-corner tape-flange, 155" (4m)
- 101196 Schmidlin mounting angle for tile flange (SIA 181), 4 pieces

**Options**

- CE1 CLEANEFFECT



### Technical Information

Installation	corner
Drain location	drain right
Weight	70 lbs
Drain opening	3 1/2"



➤ Installation Instructions

### Standards / Codes

- This product complies with
- ASME A112.19.1 / CSA B45.2
- ASTM F462



Meets the americans with disabilities act guidelines and ANSI A117.1 requirements for accessibility and usability - check local code. Install with seat at head end.

### Notes

- Drain set not included
- Refer to installation instructions
- We recommend the use of Schmidlin adjustable installation feet

**Important:** Dimensions of fixtures are nominal and may vary within the range tolerances established by ANSI standard A112.19.4. These measurements are subject to change or cancellation. No responsibility is assumed for use of superseded or voided leaflet.