

### Material

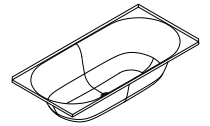
- Glazed titanium steel

### Features

- ANTIGLISS included
- Integrated tile flanges

### Compatible drain fittings

- Geberit offset, 151.604.21.1 (polished chrome)
- Mountain Plumbing offset, brass BDR20SBR45/FFF (cable drive)
- Mountain Plumbing offset, ABS BWO40S22A2/FFF (cable drive)
- Mountain Plumbing offset, PVC BWO40S22P2/FFF (cable drive)
- OS&B direct, brass 307DQ-25FFF (clicker)
- OS&B offset, brass 314Q12-20FFF (clicker)
- OS&B offset, PVC 5100QK-FFF (clicker)



Variant no	Color	Tile flange
<input type="checkbox"/> 2274-0002	C1 white gloss	TF00 no tile flange
<input type="checkbox"/> 2274-0004	C1 white gloss	TF06 Tile flanges on 2 sides, left corner
<input type="checkbox"/> 2274-0005	C1 white gloss	TF07 tile flanges on 2 sides, right corner



### Colors

- C058 White matte
- C\_\_ Color class II, VI



➔ color list

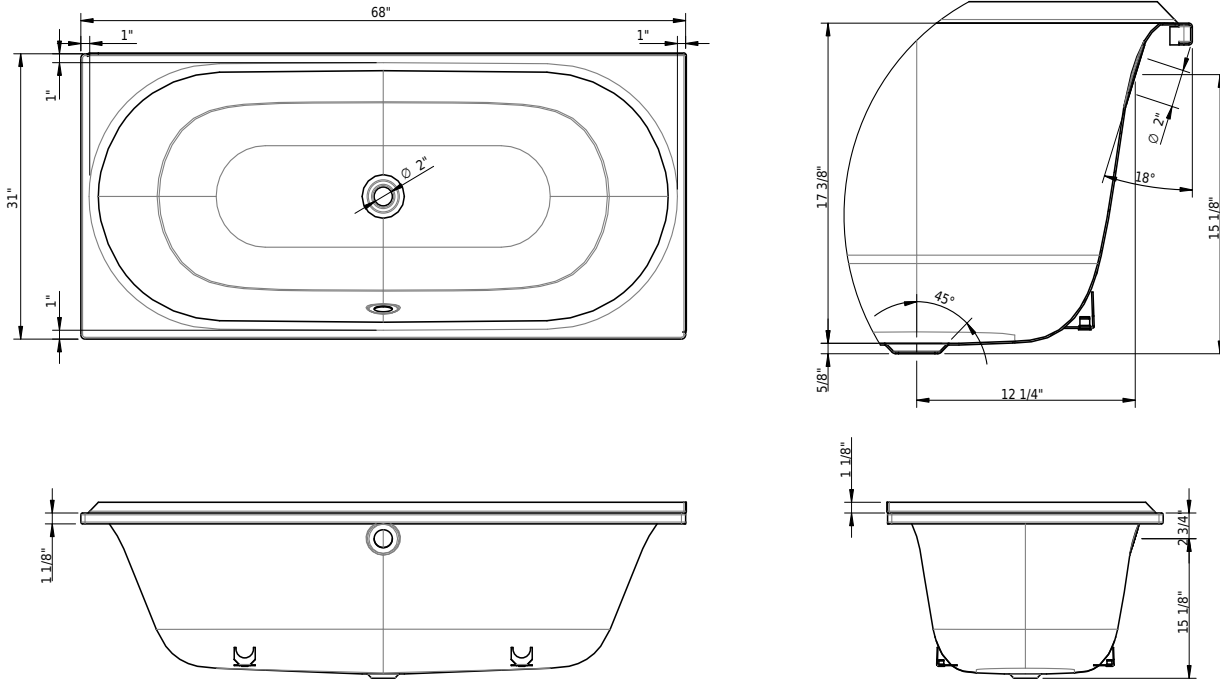
### Options

- CE1 CLEANEFFECT
- HC1 Handle CONTURA
- HS1 Handle SAFE

### Accessories

- 109547 Schmidlin ELEMENT, magnetic candle holder
- 101187 Schmidlin RELAX bathtub pillow, black, 1 piece
- 117005 Schmidlin 2-corner tape-flange, 155" (4m)
- 110404 Schmidlin adjustable installation feet for RIVA / CORSO (4 pieces)
- 101196 Schmidlin mounting angle for tile flange (SIA 181), 4 pieces

05/01/2026 Subject to technical changes.



**Technical Information**

Installation location	corner
Weight without water	114 lbs
Water depth to overflow	13 5/8"
Max. water capacity to overflow	58 gal
Drain opening	2"
Overflow hole diameter	2"



➤ Installation Instructions

**Standards / Codes**

- This product complies with
- ASME A112.19.1 / CSA B45.2
- ADA
- ASTM F462



Meets the americans with disabilities act guidelines and ANSI A117.1 requirements for accessibility and usability - check local code. Install with seat at head end.

**Notes**

- Bath faucet not included
- Refer to installation instructions
- We recommend the use of Schmidlin adjustable installation feet

**Important:** Dimensions of fixtures are nominal and may vary within the range tolerances established by ANSI standard A112.19.4. These measurements are subject to change or cancellation. No responsibility is assumed for use of superseded or voided leaflet.

05/01/2026 Subject to technical changes.