

Material

- Glazed titanium steel

Features

- with overflow hole
- with faucet hole on the rear right
- installation kit included

**Colors**

- C058 White matte
- C__ Color class III, IV, V, VI



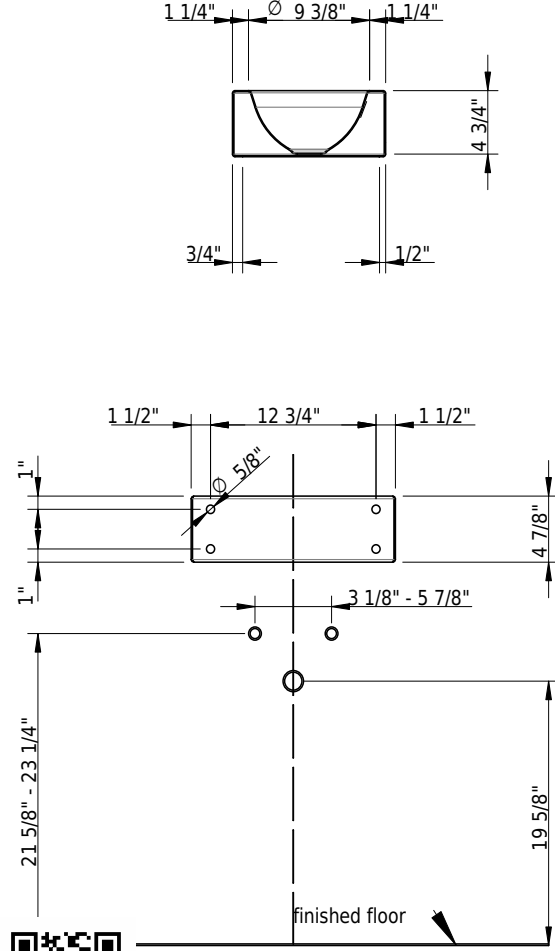
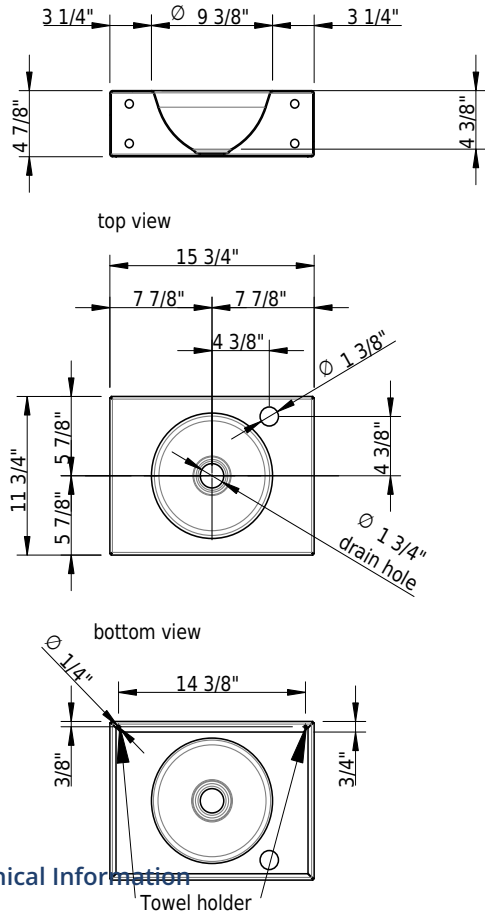
➔ color list

Options

- CE1 CLEANEFFEKT
- Custom round hole
- SDH2 Hole for Schmidlin built-in soap dispenser (Ø 1")
- TPD1 Tissue paper dispenser
- FH1 Single hole faucet
- FH0 without faucet hole

Accessories

- 111716 Schmidlin ELEMENT magnetic towel holder, black matt
- 108240 Schmidlin ELEMENT magnetic towel holder, chrome-plated
- 109547 Schmidlin ELEMENT, magnetic candle holder
- 108242 Schmidlin ELEMENT, magnetic glass holder
- 108243 Schmidlin ELEMENT, magnetic soap dish
- 108241 Schmidlin ELEMENT, magnetic soap dispenser
- 111479 Schmidlin MAGNO magnetic soapdispenser white
- 111480 Schmidlin MAGNO magnetic soapdispenser, black matte
- 111482 Schmidlin MAGNO magnetic toothbrush holder, black matte
- 111481 Schmidlin MAGNO magnetic toothbrush holder, white
- 109986 Handtuchhalter zu Schmidlin ORBIS MINI / MERO MINI Wandbecken 40x30x12.5 cm
- 100534 Reinforcement flange for tap mounting
- 2464-0001 Schmidlin back- / side-splash
- 2400-0001 Schmidlin back- / side-splash
- 100530 Schmidlin soap dispenser



➤ Installation Instructions

Technical Information

Bowl configuration	single
Bowl depth	4 3/8"
Bowl size	Ø 9 3/8"
Drain hole diameter	1 3/4"

Standards / Codes

- This product complies with
- ASME A112.19.1 / CSA B45.2
- ASTM F462
- ADA

Notes

- This product does not have an overflow hole. Please use an open grid-drain
- Drain and faucet not included
- Refer to installation instructions
- We recommend the use of Schmidlin reinforcement flange for faucet installation

Important: Dimensions of fixtures are nominal and may vary within the range tolerances established by ANSI standard A112.19.4. These measurements are subject to change or cancellation. No responsibility is assumed for use of superseded or voided leaflet.

05/09/2026 Subject to technical changes.