

Material

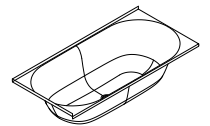
- Glazed titanium steel

Features

- ANTIGLISS included
- Integrated tile flanges

Compatible drain fittings

- Geberit offset, 151.604.21.1 (polished chrome)
- Mountain Plumbing offset, brass BDR20SBR45/FFF (cable drive)
- OS&B direct, brass 307DQ-25FFF (clicker)
- OS&B offset, brass 314Q13-20FFF (clicker)
- OS&B offset, PVC 5100QK-FFF (clicker)



Variant no	Color	Tile flange
<input type="checkbox"/> 2288-0002	C1 white gloss	TF00 no tile flange
<input type="checkbox"/> 2288-0004	C1 white gloss	TF06 Tile flanges on 2 sides, left corner
<input type="checkbox"/> 2288-0005	C1 white gloss	TF07 tile flanges on 2 sides, right corner



Colors

- C058 White matte
- C__ Color class II, VI



➔ color list

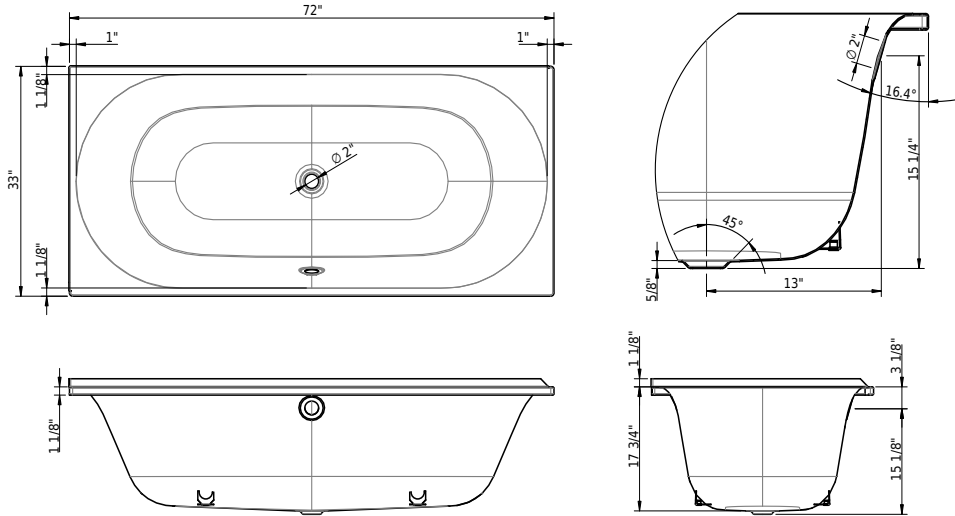
Options

- CE1 CLEANEFFECT
- HC1 Handle CONTURA
- HS1 Handle SAFE

Accessories

- 109547 Schmidlin ELEMENT, magnetic candle holder
- 101187 Schmidlin RELAX bathtub pillow, black, 1 piece
- 117005 Schmidlin 2-corner tape-flange, 155" (4m)
- 110404 Schmidlin adjustable installation feet for RIVA / CORSO (4 pieces)
- 101196 Schmidlin mounting angle for tile flange (SIA 181), 4 pieces

04/09/2026 Subject to technical changes.



Technical Information

Installation location	corner
Weight without water	126 lbs
Water depth to overflow	13 ¾"
Max. water capacity to overflow	65 gal
Drain opening	2"
Overflow hole diameter	2"



➤ Installation Instructions

Standards / Codes

- This product complies with
- ASME A112.19.1 / CSA B45.2
- ASTM F462
- ADA



Meets the americans with disabilities act guidelines and ANSI A117.1 requirements for accessibility and usability - check local code. Install with seat at head end.

Notes

- Bath faucet not included
- Refer to installation instructions
- We recommend the use of Schmidlin adjustable installation feet

Important: Dimensions of fixtures are nominal and may vary within the range tolerances established by ANSI standard A112.19.4. These measurements are subject to change or cancellation. No responsibility is assumed for use of superseded or voided leaflet.

04/09/2026 Subject to technical changes.