

Material

- Glazed titanium steel

Features

- ANTIGLISS included
- Integrated tile flanges

Compatible drain fittings

- Mountain Plumbing offset, brass BDR20SBR22/FFF (cable drive)
- Mountain Plumbing offset, brass BDWUNV22/FFF (toe touch)
- Mountain Plumbing offset, ABS BWO40S22A2/FFF (cable drive)
- Mountain Plumbing offset, ABS BDWUNVA/FFF (toe touch)
- Mountain Plumbing offset, PVC BWO40S22P2/FFF (cable drive)
- Mountain Plumbing offset, PVC BDWUNVP/FFF (toe touch)
- OS&B offset, brass 314Q12-20FFF (clicker)
- OS&B offset, ABS 6040QK-FFF (clicker)
- OS&B offset, PVC 5150QK-FFF (clicker)
- Gerber direct, brass G004185135 Lift & Turn, 17 Gauge
- Gerber offset, brass G004181235 Trip Lever, 17 Gauge
- Gerber offset, brass G004181835 Trip Lever, 20 Gauge
- Gerber offset, brass G004185535 Lift & Turn, 20 Gauge
- Gerber offset ABS G0041613 Trip Lever
- Gerber offset PVC G0041553 Lift & Turn
- Geberit offset, PP 150.183.00.1 (rough-in unit)
- Geberit offset, brass 151.450.00.1 (rough-in unit)
- Central Brass offset, brass 1655-X1817 (cable drive)
- Watco offset, brass 501/502 - NY EX4 D4
- Watco offset, brass 528 D2 (cable drive)
- Watco offset, brass 591 EX4 D4
- Watco offset, ABS/PVC 900 EX2 D3
- Watco offset, ABS/PVC 916 D4
- Watco offset, ABS/PVC 938 (cable drive)
- Jaclo offset, brass 386-LT (cable drive)
- Jaclo offset, PVC 383-LT (cable drive)



Variant no

Color

Tile flange

2300-0003

C1 white gloss

TF01 Tile flanges left / back, drain left



2300-0004

C1 white gloss

TF02 Tile flanges right / back, drain right



Colors

C058 White matte

Accessories

108240

Schmidlin ELEMENT magnetic towel holder,

04/19/2026 Subject to technical changes.

60 x 30 x 16 inch
Article No: 2300-0003

C__ Color class III, VI



➔ color list

109547

101187

117005

chrome-plated

Schmidlin ELEMENT, magnetic candle holder

Schmidlin RELAX bathtub pillow, black, 1 piece

Schmidlin 2-corner tape-flange, 155" (4m)

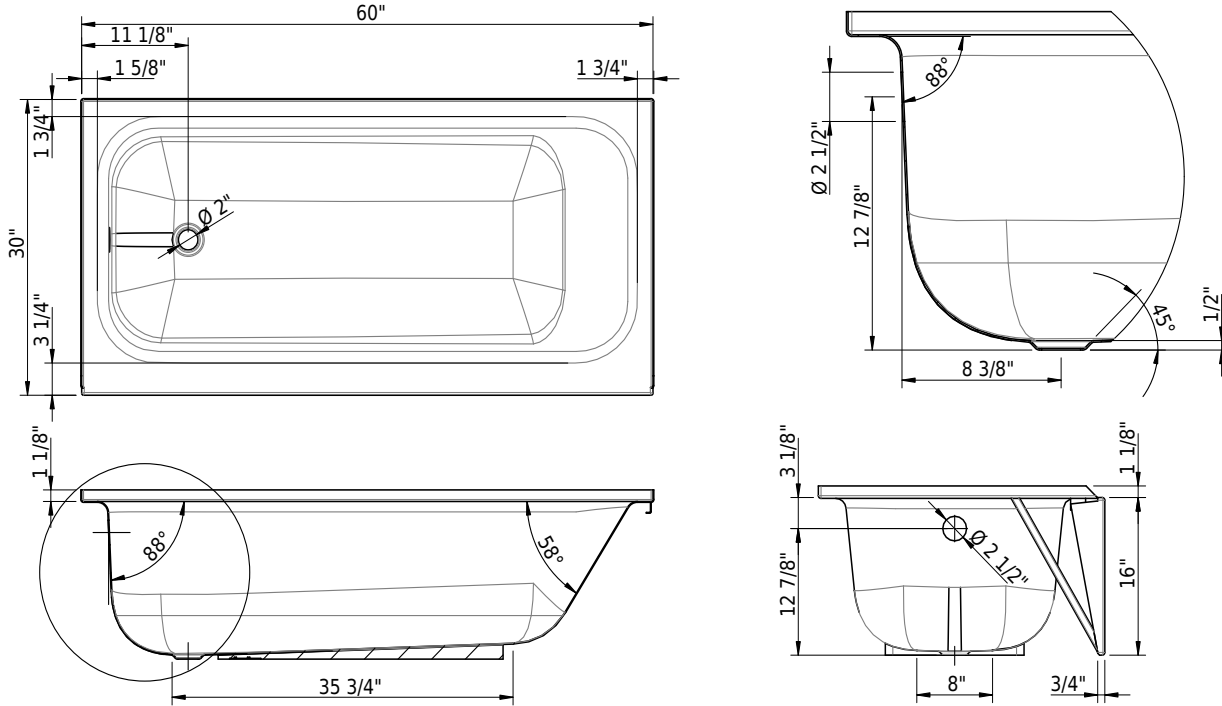
Options

CE1 CLEANEFFECT

HC2 Handle CONTURA

HS2 Handle SAFE

04/19/2026 Subject to technical changes.



Technical Information

Installation location	alcove
Weight without water	115 lbs
Water depth to overflow	11 1/2"
Max. water capacity to overflow	42 gal
Drain opening	2"
Overflow hole diameter	2 1/2"



➤ Installation Instructions



➤ Installation Video

Standards / Codes

- This product complies with
- ASME A112.19.1 / CSA B45.2
- ASTM F462
- ADA



Meets the americans with disabilities act guidelines and ANSI A117.1 requirements for accessibility and usability - check local code. Install with seat at head end.

Notes

- Left hand outlet shown
- Bath faucet not included
- Refer to installation instructions

Important: Dimensions of fixtures are nominal and may vary within the range tolerances established by ANSI standard A112.19.4. These measurements are subject to change or cancellation. No responsibility is assumed for use of superseded or voided leaflet.

04/19/2026 Subject to technical changes.