

Material

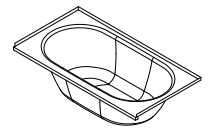
- Glazed titanium steel

Features

- ANTIGLISS included

Compatible drain fittings

- Geberit offset, ABS 151.604.21.1
- Geberit offset, PP 150.183.00.1
- Mountain Plumbing offset, brass BDR20SBR45/FFF (cable drive)
- OS&B direct, brass 307DQ-25FFF (clicker)
- OS&B offset, brass 314Q13-20FFF (clicker)
- OS&B offset, PVC 5100QK-FFF (clicker)



Variant no

Color

Tile flange

- | | | |
|------------------------------------|----------------|---|
| <input type="checkbox"/> 2432-0002 | C1 white gloss | TF00 no tile flange |
| <input type="checkbox"/> 2432-0003 | C1 white gloss | TF01 Tile flange on 3 sides, drain center |



Colors

- C058 White matte
- C__ Color class III, VI



↗ color list

Options

- CE1 CLEANEFFECT
- HC1 Handle CONTURA
- HS1 Handle SAFE
- TF__ Tile flange

Accessories

- 109547 Schmidlin ELEMENT, magnetic candle holder
- 101188 Schmidlin RELAX Wannenkissen, schwarz, 2 Stück
- 101187 Schmidlin RELAX bathtub pillow, black, 1 piece
- 1610-0005 60" apron (glazed titanium steel) for installation Above Floor Rough in alcove only, C001
- 1610-0001 60" apron (glazed titanium steel) for installation in alcove only, C001
- 1610-0004 60" apron (glazed titanium steel) for installation in alcove only, C003
- 1610-0003 60" apron (glazed titanium steel) for installation in alcove only, C058
- 1610-0002 60" apron (glazed titanium steel) for installation in alcove only, C062
- 117005 Schmidlin 2-corner tape-flange, 155" (4m)
- 109810 Schmidlin adjustable installation feet (4 pieces)
- 116450 Schmidlin adjustable installation feet for Above floor Rough (4 pieces)

07/09/2026 Subject to technical changes.

109809

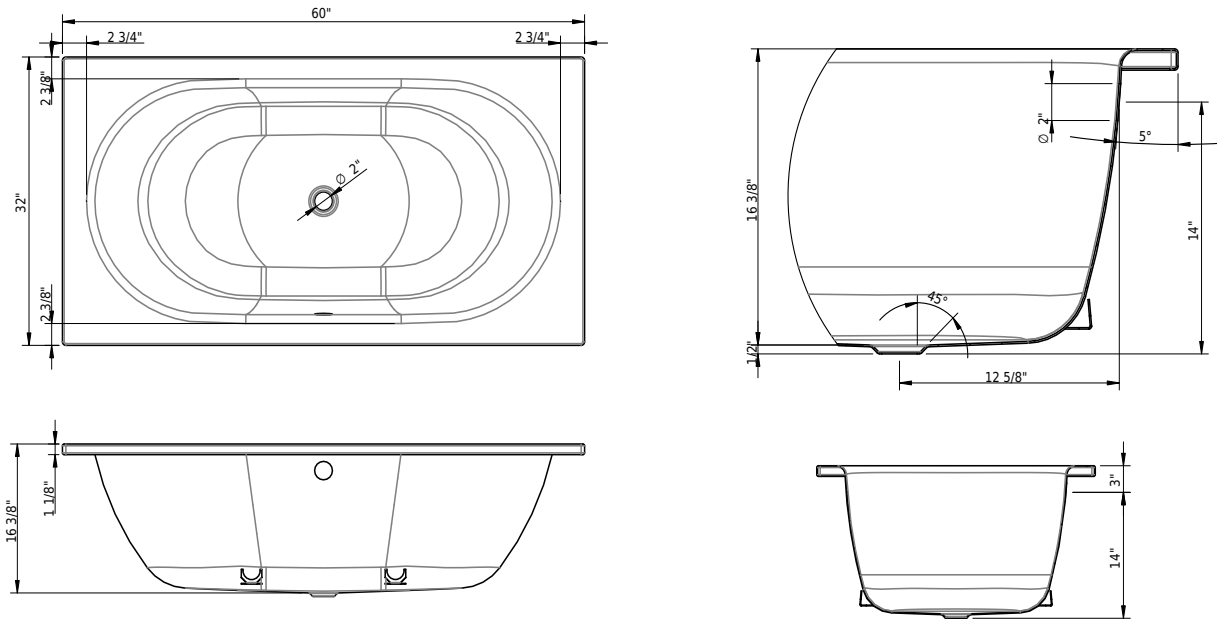
Schmidlin magnetic installation brackets for apron
(2 pieces)

101196

Schmidlin mounting angle for tile flange (SIA 181),
4 pieces

111020

Set of 60" apron, 4 adjustable feet, 2 magnetic
brackets for Norm Classic 60", C001



Technical Information

Weight without water	99 lbs
Water depth to overflow	14 3/8"
Max. water capacity to overflow	47 gal
Drain opening	2"
Overflow hole diameter	2"



➤ Installation Instructions

Standards / Codes

- This product complies with
- ASME A112.19.1 / CSA B45.2
- ASTM F462
- ADA



Meets the americans with disabilities act guidelines and ANSI A117.1 requirements for accessibility and usability - check local code. Install with seat at head end.

Notes

- Bath faucet not included
- Refer to installation instructions
- We recommend the use of Schmidlin adjustable installation feet

Important: Dimensions of fixtures are nominal and may vary within the range tolerances established by ANSI standard A112.19.4. These measurements are subject to change or cancellation. No responsibility is assumed for use of superseded or voided leaflet.

07/09/2026 Subject to technical changes.