

### Material

- Glazed titanium steel

### Features

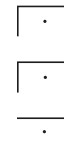
- ANTIGLISS included
- Integrated tile flanges

### Compatible drain fittings

- Geberit offset, ABS 151.604.21.1
- Geberit offset, PP 150.183.00.1
- Mountain Plumbing offset, brass BDR20SBR45/FFF (cable drive)
- Mountain Plumbing offset, brass BDWUNV22/FFF (toe touch)
- OS&B direct, brass 307DQ-25FFF (clicker)
- OS&B offset, brass 314Q13-20FFF (clicker)
- OS&B offset, PVC 5100QK-FFF (clicker)



Variant no	Color	Tile flange
<input type="checkbox"/> 2432-0002	C1 white gloss	TF00 no tile flange
<input type="checkbox"/> 2432-0003	C1 white gloss	TF01 Tile flange on 3 sides, drain center
<input type="checkbox"/> 2432-0005	C1 white gloss	TF06 Tile flanges left / back, drain center
<input type="checkbox"/> 2432-0006	C1 white gloss	TF07 Tile flanges right / back, drain center



### Colors

- C058 White matte
- C\_\_ Color class III, VI



➔ color list

### Options

- CE1 CLEANEFFECT
- HC1 Handle CONTURA
- HS1 Handle SAFE
- TF\_\_ Tile flange

### Accessories

- 109547 Schmidlin ELEMENT, magnetic candle holder
- 101188 Schmidlin RELAX Wannenkissen, schwarz, 2 Stück
- 101187 Schmidlin RELAX bathtub pillow, black, 1 piece
- 1610-0005 60" apron (glazed titanium steel) for installation Above Floor Rough in alcove only, C001
- 1610-0001 60" apron (glazed titanium steel) for installation in alcove only, C001
- 1610-0004 60" apron (glazed titanium steel) for installation in alcove only, C003
- 1610-0003 60" apron (glazed titanium steel) for installation in alcove only, C058
- 1610-0002 60" apron (glazed titanium steel) for installation in alcove only, C062
- 117005 Schmidlin 2-corner tape-flange, 155" (4m)
- 109810 Schmidlin adjustable installation feet (4 pieces)
- 116450 Schmidlin adjustable installation feet for Above floor Rough (4 pieces)

06/18/2026 Subject to technical changes.

109809

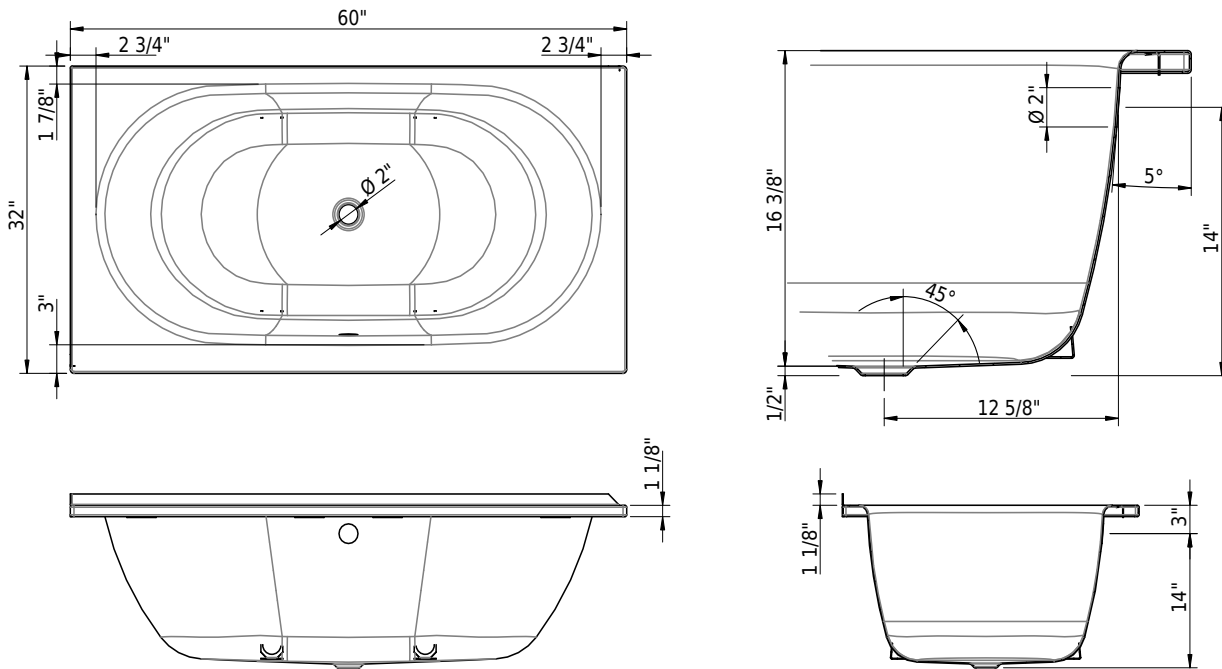
Schmidlin magnetic installation brackets for apron  
(2 pieces)

101196

Schmidlin mounting angle for tile flange (SIA 181),  
4 pieces

111020

Set of 60" apron, 4 adjustable feet, 2 magnetic  
brackets for Norm Classic 60", C001



**Technical Information**

Installation location                      corner  
Weight without water  
Water depth to overflow  
Max. water capacity to overflow  
Drain opening  
Overflow hole diameter



➤ Installation Instructions

**Standards / Codes**

**Important:** Dimensions of fixtures are nominal and may vary within the range tolerances established by ANSI standard A112.19.4. These measurements are subject to change or cancellation. No responsibility is assumed for use of superseded or voided leaflet.