

Material

- Glazed titanium steel

Features

- Slip resistant surface ANTIGLISS included

Compatible drain fittings

- Schmidlin, ABS, 117240
- OS&B ABS, SD35
- OS&B PVC, SD5135



Variant no

Color

Tile flange

<input type="checkbox"/> 2456-0002	C1 white gloss	TF00 no tile flange
<input type="checkbox"/> 2456-0003	C1 white gloss	TF01 Tile flange on 3 sides, drain left
<input type="checkbox"/> 2456-0004	C1 white gloss	TF02 Tile flange on 3 sides, drain right
<input type="checkbox"/> 2456-0005	C1 white gloss	TF03 Tile flanges left / back, drain left
<input type="checkbox"/> 2456-0006	C1 white gloss	TF04 Tile flanges right / back, drain right



Colors

- C058 White matte
- C__ Color class C, D, E



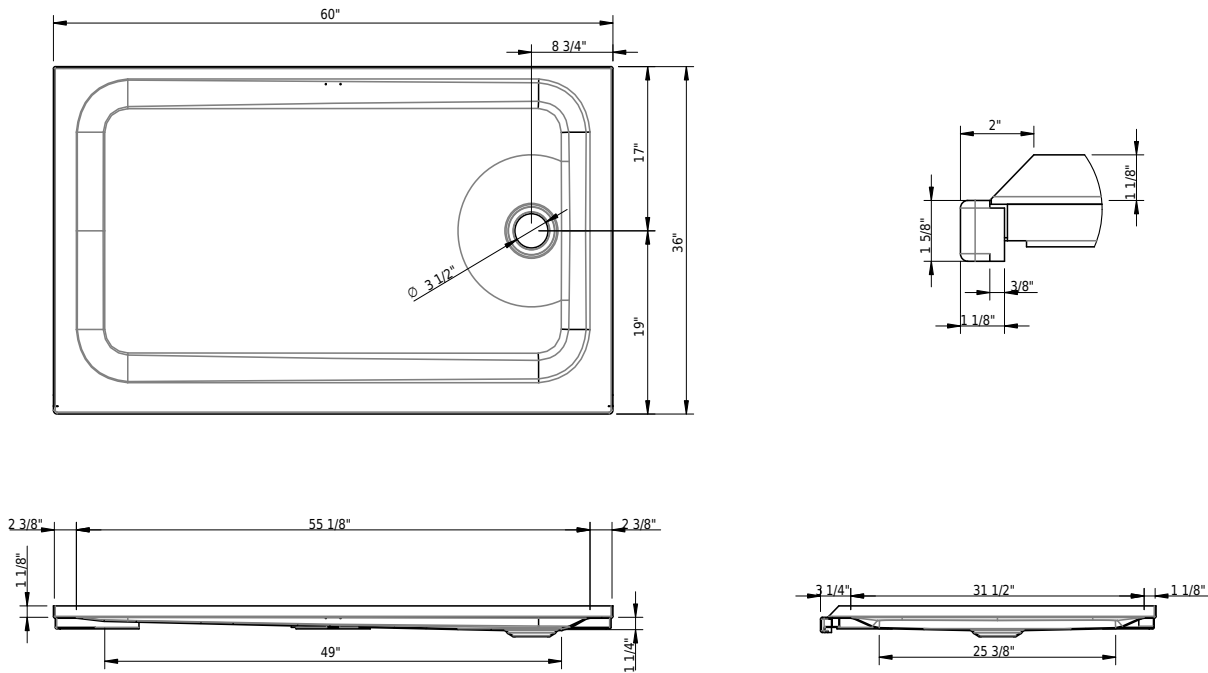
➤ color list

Accessories

- 117005 Schmidlin 2-corner tape-flange, 155" (4m)
- 101196 Schmidlin mounting angle for tile flange (SIA 181), 4 pieces

Options

- CE1 CLEANEFFECT



Technical Information

Installation	corner
Drain location	drain right
Weight	74 lbs
Drain opening	3 1/2"



➤ [Installation Instructions](#)

Standards / Codes

- This product complies with
- ASME A112.19.1 / CSA B45.2
- ASTM F462
- This product complies with
- ASME A112.19.1 / CSA B45.2
- ASTM F462



Meets the americans with disabilities act guidelines and ANSI A117.1 requirements for accessibility and usability - check local code. Install with seat at head end.

Notes

- Drain set not included
- Refer to installation instructions
- We recommend the use of Schmidlin adjustable installation feet

Important: Dimensions of fixtures are nominal and may vary within the range tolerances established by ANSI standard A112.19.4. These

03/17/2025 Subject to technical changes.

measurements are subject to change or cancellation. No responsibility is assumed for use of superseded or voided leaflet.

03/17/2025 Subject to technical changes.