

Material

- Glazed titanium steel

Features

- ANTIGLISS included
- Option made to measure
- ANTIGLISS included

Compatible drain fittings

- Geberit offset, ABS 151.602.21.1 (polished chrome)
- Geberit offset, PP 150.183.00.1 (rough-in unit)
- Geberit offset, brass 151.450.00.1 (rough-in unit)
- Mountain Plumbing offset, brass BDR20SBR22/FFF (cable drive)
- Mountain Plumbing offset, ABS BWO40S22A2/FFF (cable drive)
- Mountain Plumbing offset, PVC BWO40S22P2/FFF (cable drive)
- OS&B direct, brass 307DQ-25FFF (clicker)
- OS&B offset, PVC 5100QK-FFF (clicker)
- Jaco offset, brass 386-LT (cable-drive)
- Jaco offset, PVC 383-LT (cable-drive)
- Geberit offset, ABS 151.602.21.1 (polished chrome)
- Geberit offset, PP 150.183.00.1 (rough-in unit)
- Geberit offset, brass 151.450.00.1 (rough-in unit)
- Mountain Plumbing offset, brass BDR20SBR22/FFF (cable drive)
- Mountain Plumbing offset, ABS BWO40S22A2/FFF (cable drive)
- Mountain Plumbing offset, PVC BWO40S22P2/FFF (cable drive)
- OS&B direct, brass 307DQ-25FFF (clicker)
- OS&B offset, PVC 5100QK-FFF (clicker)



Variant no

Color

Tile flange

<input type="checkbox"/> 2490-0002	C1 white gloss	TF00 no tile flange
<input type="checkbox"/> 2490-0003	C1 white gloss	TF01 Tile flange on 3 sides, drain left
<input type="checkbox"/> 2490-0004	C1 white gloss	TF02 Tile flange on 3 sides, drain right
<input type="checkbox"/> 2490-0005	C1 white gloss	TF03 Tile flanges left / back, drain left
<input type="checkbox"/> 2490-0006	C1 white gloss	TF04 Tile flanges right / back, drain right
<input type="checkbox"/> 2497-0002	C1 white gloss	TF00 no tile flange
<input type="checkbox"/> 2497-0003	C1 white gloss	TF01 Tile flange on 3 sides, drain left
<input type="checkbox"/> 2497-0004	C1 white gloss	TF02 Tile flange on 3 sides, drain right
<input type="checkbox"/> 2497-0005	C1 white gloss	TF03 Tile flanges left / back, drain left



06/18/2026 Subject to technical changes.

2497-0006

C1 white gloss

TF04 Tile flanges right / back, drain right



Colors

C058 White matte

C__ Color class III,VI



➤ color list

Options

CE1 CLEANEFFECT

HS1 Handle SAFE

Accessories

109547

Schmidlin ELEMENT, magnetic candle holder

101187

Schmidlin RELAX bathtub pillow, black, 1 piece

117005

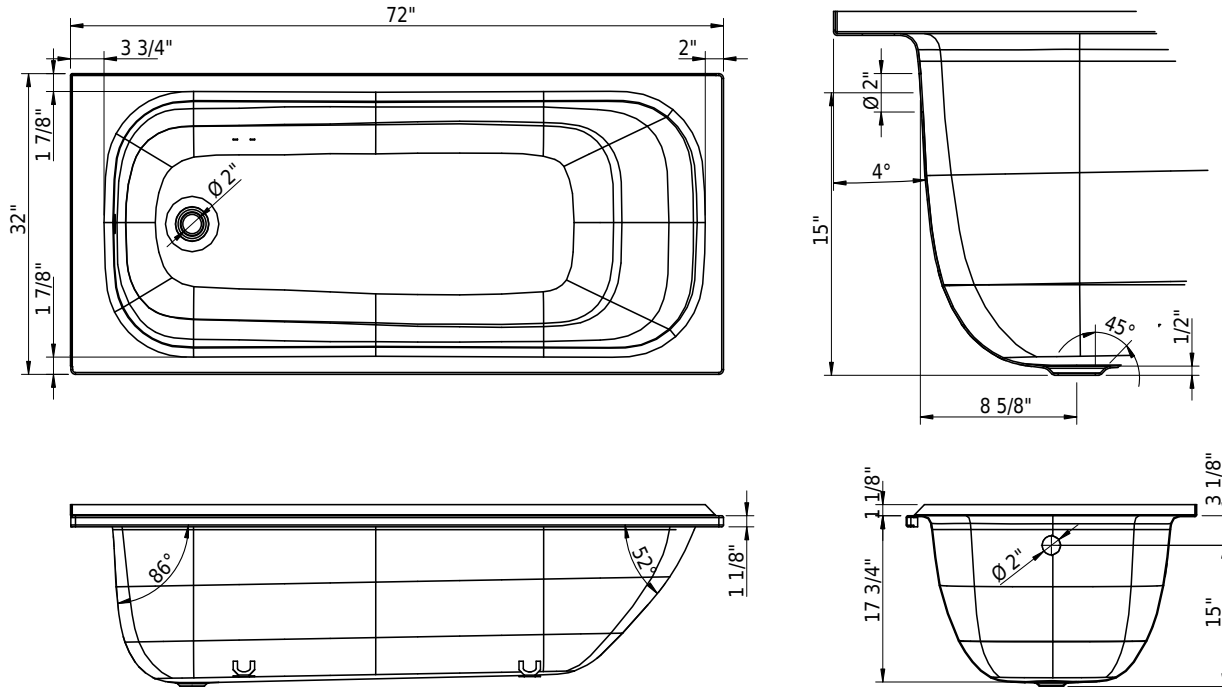
Schmidlin 2-corner tape-flange, 155" (4m)

109810

Schmidlin adjustable installation feet (4 pieces)

101196

Schmidlin mounting angle for tile flange (SIA 181), 4 pieces



Technical Information

Installation location	corner
Weight without water	130 lbs
Water depth to overflow	13 1/2"
Max. water capacity to overflow	60 gal
Drain opening	2"
Overflow hole diameter	2"



➤ Installation Instructions

Standards / Codes

- This product complies with
- ASME A112.19.1 / CSA B45.2
- ASTM F462
- ADA
- This product complies with
- ASME A112.19.1 / CSA B45.2
- ASTM F462
- ADA

Notes

- Bath faucet not included
- Refer to installation instructions
- We recommend the use of Schmidlin adjustable installation feet
- Bath faucet not included
- Refer to installation instructions
- We recommend the use of Schmidlin INFINITY bathtub installation system

Important: Dimensions of fixtures are nominal and may vary within the range tolerances established by ANSI standard A112.19.4. These

06/18/2026 Subject to technical changes.

measurements are subject to change or cancellation. No responsibility is assumed for use of superseded or voided leaflet.

06/18/2026 Subject to technical changes.