

### Material

- Glazed titanium steel

### Features

- ANTIGLISS included
- Integrated tile flanges
- Option made to measure

### Compatible drain fittings

- Watco offset, ABS/PVC 429 D9
- Watco offset, ABS/PVC 938 D2 (cable-drive)
- Geberit offset, PP 150.183.00.1 (rough-in unit)
- Mountain Plumbing offset, brass BDR20SBR45/FFF (cable drive)
- OS&B direct, brass 307DQ-30FFF (clicker)
- OS&B offset, brass 314Q15-20-FFFF (clicker)
- OS&B offset, ABS 6040QK-FFF (clicker)
- OS&B offset, PVC 5150QK-FFF (clicker)
- Watco offset, brass 551/552 - NY D4
- Watco offset, brass 538 D5 (cable-drive)
- Watco offset, brass 591 EX8 D8
- Watco offset, ABS/PVC 900 EX6 D8

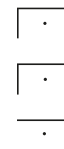


### Variant no

### Color

### Tile flange

<input type="checkbox"/> 2540-0002	C1 white gloss	TF00 no tile flange
<input type="checkbox"/> 2540-0003	C1 white gloss	TF05 tile flanges on 3 sides, drain center
<input type="checkbox"/> 2540-0005	C1 white gloss	TF06 tile flanges on 2 sides, left corner
<input type="checkbox"/> 2540-0006	C1 white gloss	TF07 tile flanges on 2 sides, right corner



### Colors

- C058 White matte
- C\_\_ Color class III,VI

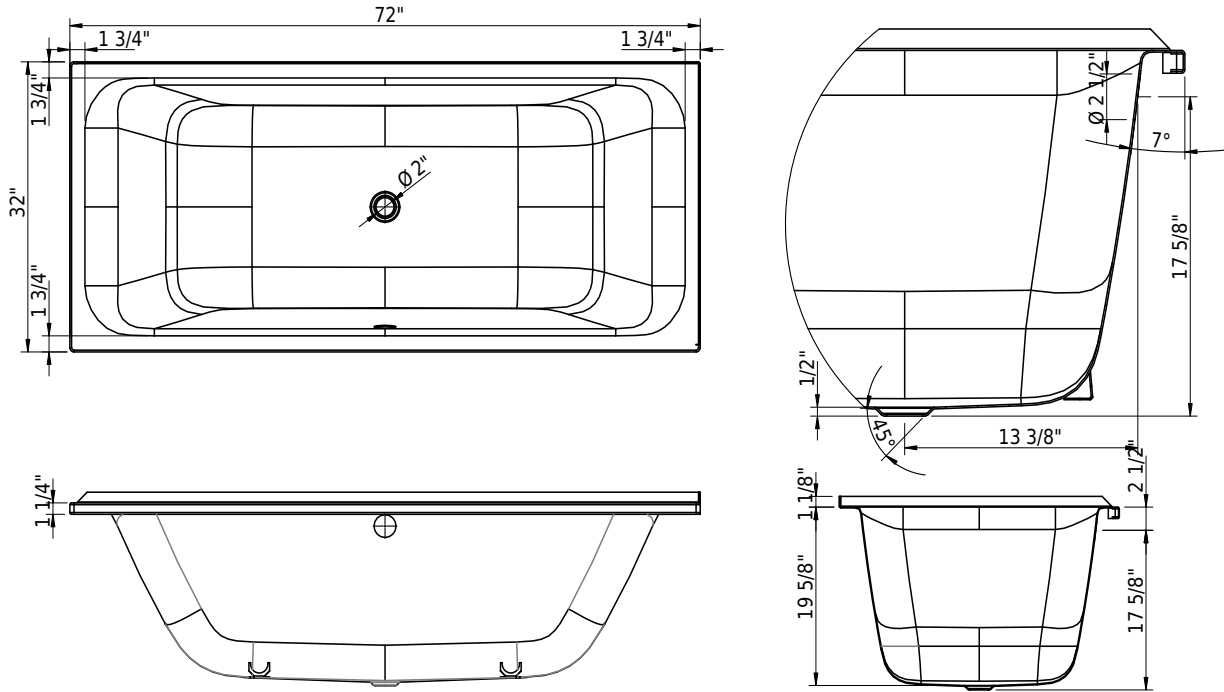


➔ color list

### Accessories

<input type="checkbox"/> 109547	Schmidlin ELEMENT, magnetic candle holder
<input type="checkbox"/> 101188	Schmidlin RELAX Wannenkissen, schwarz, 2 Stück
<input type="checkbox"/> 101187	Schmidlin RELAX bathtub pillow, black, 1 piece
<input type="checkbox"/> 117005	Schmidlin 2-corner tape-flange, 155" (4m)
<input type="checkbox"/> 109810	Schmidlin adjustable installation feet (4 pieces)
<input type="checkbox"/> 116450	Schmidlin adjustable installation feet for Above floor Rough (4 pieces)
<input type="checkbox"/> 101196	Schmidlin mounting angle for tile flange (SIA 181), 4 pieces
<input type="checkbox"/> 111020	Set of 60" apron, 4 adjustable feet, 2 magnetic

07/09/2026 Subject to technical changes.



**Technical Information**

Installation location	corner
Weight without water	124 lbs
Water depth to overflow	15 7/8"
Max. water capacity to overflow	82 gal
Drain opening	2"
Overflow hole diameter	2 1/2"



➤ Installation Instructions

**Standards / Codes**

- This product complies with
- ASME A112.19.1 / CSA B45.2
- ASTM F462
- ADA

**Notes**

- Right hand outlet shown
- Bath faucet not included
- Refer to installation instructions
- We recommend the use of Schmidlin adjustable installation feet

**Important:** Dimensions of fixtures are nominal and may vary within the range tolerances established by ANSI standard A112.19.4. These measurements are subject to change or cancellation. No responsibility is assumed for use of superseded or voided leaflet.