

Material

- Glazed titanium steel

Features

- ANTIGLISS included

Compatible drain fittings

- Geberit offset, ABS 151.602.21.1 (polished chrome)
- Geberit offset, PP 150.183.00.1 (rough-in unit)
- Geberit offset, brass 151.450.00.1 (rough-in unit)
- Mountain Plumbing offset, brass BDR20SBR22/FFF (cable drive)
- Mountain Plumbing offset, ABS BWO40S22A2/FFF (cable drive)
- Mountain Plumbing offset, PVC BWO40S22P2/FFF (cable drive)
- OS&B direct, brass 307DQ-25FFF (clicker)
- OS&B offset, PVC 5100QK-FFF (clicker)
- Jaclo offset, brass 386-LT (cable drive)
- Jaclo offset, PVC 383-LT (cable drive)

Variant no

Color

Tile flange

| | | |
|------------------------------------|----------------|---|
| <input type="checkbox"/> 2546-0002 | C1 white gloss | TF00 no tile flange |
| <input type="checkbox"/> 2546-0003 | C1 white gloss | TF01 Tile flange on 3 sides, drain left |
| <input type="checkbox"/> 2546-0004 | C1 white gloss | TF02 Tile flange on 3 sides, drain right |
| <input type="checkbox"/> 2546-0005 | C1 white gloss | TF03 Tile flanges left / back, drain left |
| <input type="checkbox"/> 2546-0006 | C1 white gloss | TF04 Tile flanges right / back, drain right |



Colors

- C058 White matte
- C__ Color class III,VI



➔ color list

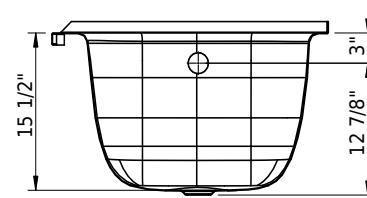
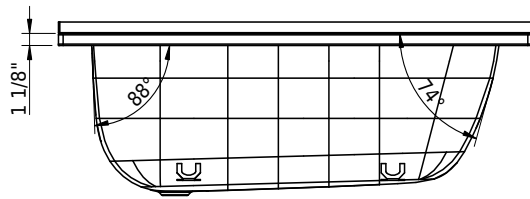
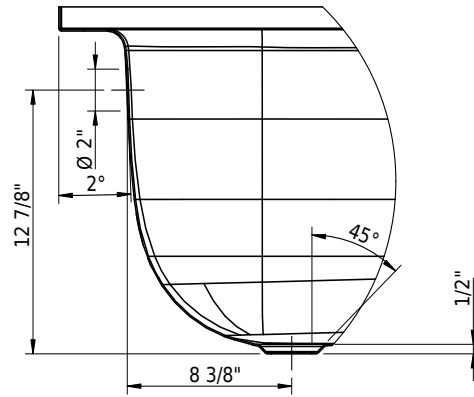
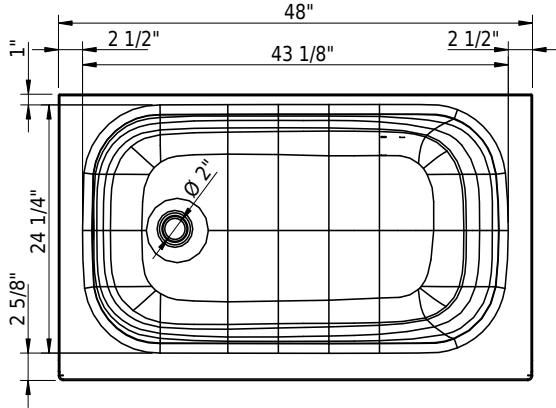
Accessories

- 109547 Schmidlin ELEMENT, magnetic candle holder
- 101188 Schmidlin RELAX Wannenkissen, schwarz, 2 Stück
- 101187 Schmidlin RELAX bathtub pillow, black, 1 piece
- 117005 Schmidlin 2-corner tape-flange, 155" (4m)
- 109810 Schmidlin adjustable installation feet (4 pieces)
- 116450 Schmidlin adjustable installation feet for Above floor Rough (4 pieces)

Options

- CE1 CLEANEFFEKT
- HC1 Handle CONTURA
- HS1 Handle SAFE
- TF_ Tile flange

07/09/2026 Subject to technical changes.



Technical Information

| | |
|---------------------------------|---------|
| Installation location | corner |
| Weight without water | 75 lbs |
| Water depth to overflow | 11 3/8" |
| Max. water capacity to overflow | 38 gal |
| Drain opening | 2" |
| Overflow hole diameter | 2" |



➤ Installation Instructions

Standards / Codes

- This product complies with
- ASME A112.19.1 / CSA B45.2
- ASTM F462
- ADA

Notes

- Bath faucet not included
- Refer to installation instructions
- We recommend the use of Schmidlin INFINITY bathtub installation system

Important: Dimensions of fixtures are nominal and may vary within the range tolerances established by ANSI standard A112.19.4. These measurements are subject to change or cancellation. No responsibility is assumed for use of superseded or voided leaflet.